



FEDERATION INTERNATIONALE
DE L'AUTOMOBILE

Groupe / Group

N

Homologation N°

N-5714

Extension N°

16/08 VO

FICHE D'EXTENSION D'HOMOLOGATION
HOMOLOGATION EXTENSION FORM

JAF 公認番号 **FN-085 VO-15/8**

JAF 発効日 **2010年7月1日**

Homologation valable à partir du **01 JUIL. 2010**
Homologation valid as from



ER Erratum / Erratum

VF Variante de fourniture / Supply variant

ET Evolution du type / Evolution of the type

VO Variante option / Option variant

VP Variante de Production / Production variant

101. CONSTRUCTEUR DU VEHICULE / MANUFACTURER OF THE VEHICLE

FUJI HEAVY INDUSTRIES LTD.

102. MODÈLE ET TYPE DE VEHICULE / MODEL AND TYPE OF THE VEHICLE

a) Modèle et type
Model and type

SUBARU IMPREZA WRX STI (2007) , GRB

COPY

Page or Extension	Article	Description	Photo n°
	3	ENGINE TUMBLE GENERATOR VALVE SYSTEM Tumble generator valve system assembly, dismounted Removable parts, disassembled Additional parts when removing Photo 1005302 Additional parts, assembled Details of the removable parts and additional parts	_____ _____ <u>1005301</u> <u>1005302</u> <u>1005303</u> <u>1005304</u> <u>1005901</u> _____ _____ _____
	803	BRAKE Brake cooling duct, dismounted Brake cooling duct, mounted - Lh side Brake cooling duct, mounted - Rh side Brake cooling duct, drawing - Lh side (front bumper side) Brake cooling duct, drawing - Rh side (front bumper side)	_____ _____ <u>1005305</u> <u>1005306</u> <u>1005307</u> <u>1005902</u> <u>1005903</u> _____ _____ _____



Fédération Internationale de l'Automobile
Chemin de Binconnet, 2
CH-1214 CHAMBEVE 13
Tél.: 41 22 544 44 00
Fax Sport: 41 22 544 02 00

Marque
Make **FUJI**

Modèle
Model **GRB**

Homologation N°

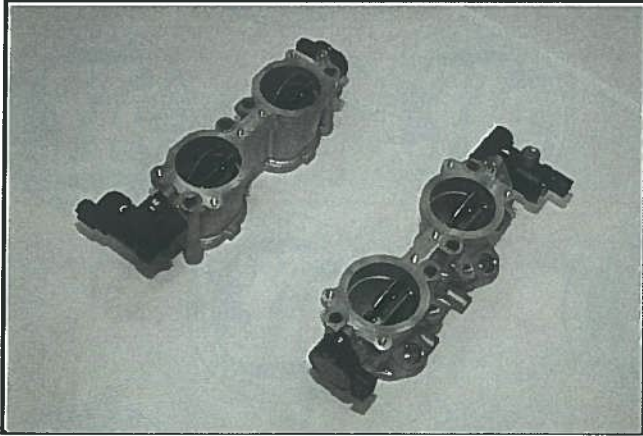
N-5714

Extension N°

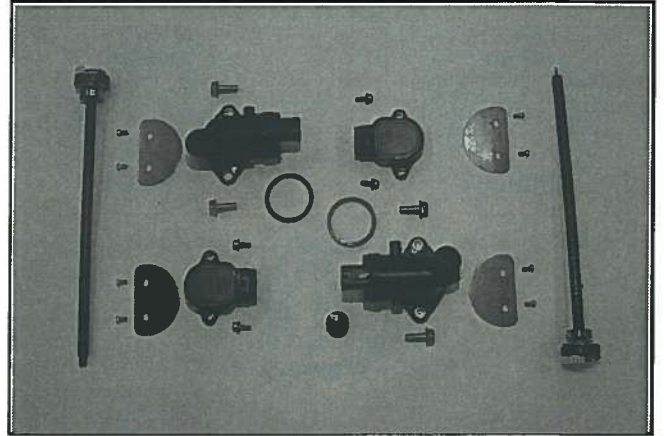
16/08 VO

JAF 公認番号 **FN-085 VO-15/8**

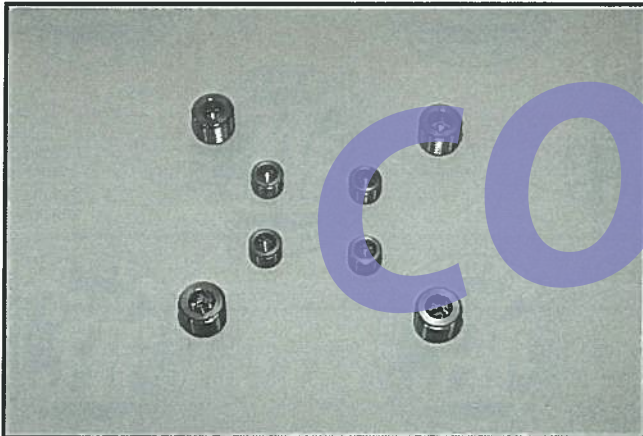
1005301)



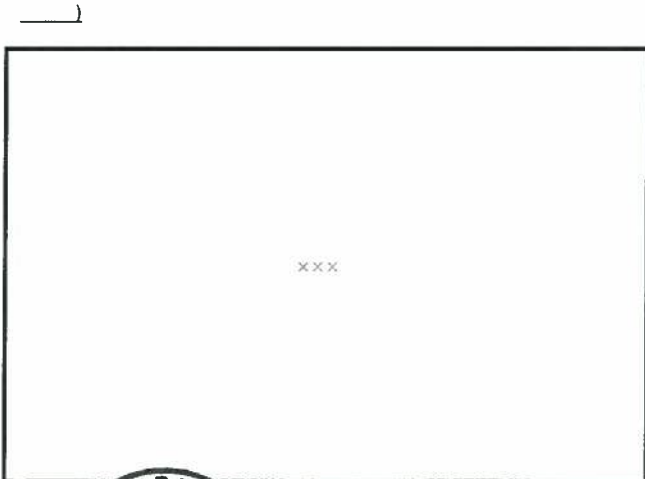
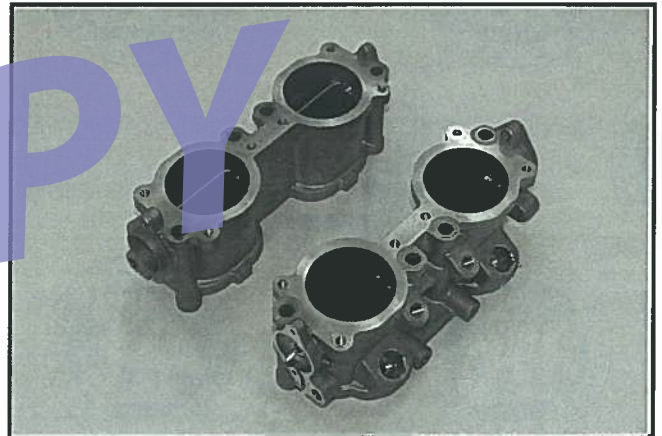
1005302)



1005303)



1005304)



Marque **FUJI**
Make

Modèle **GRB**
Model

Homologation N°

N-5714

Extension N°

16/08 VO

1005901)

JAF 公認番号 **FN-085 VO-15/8**

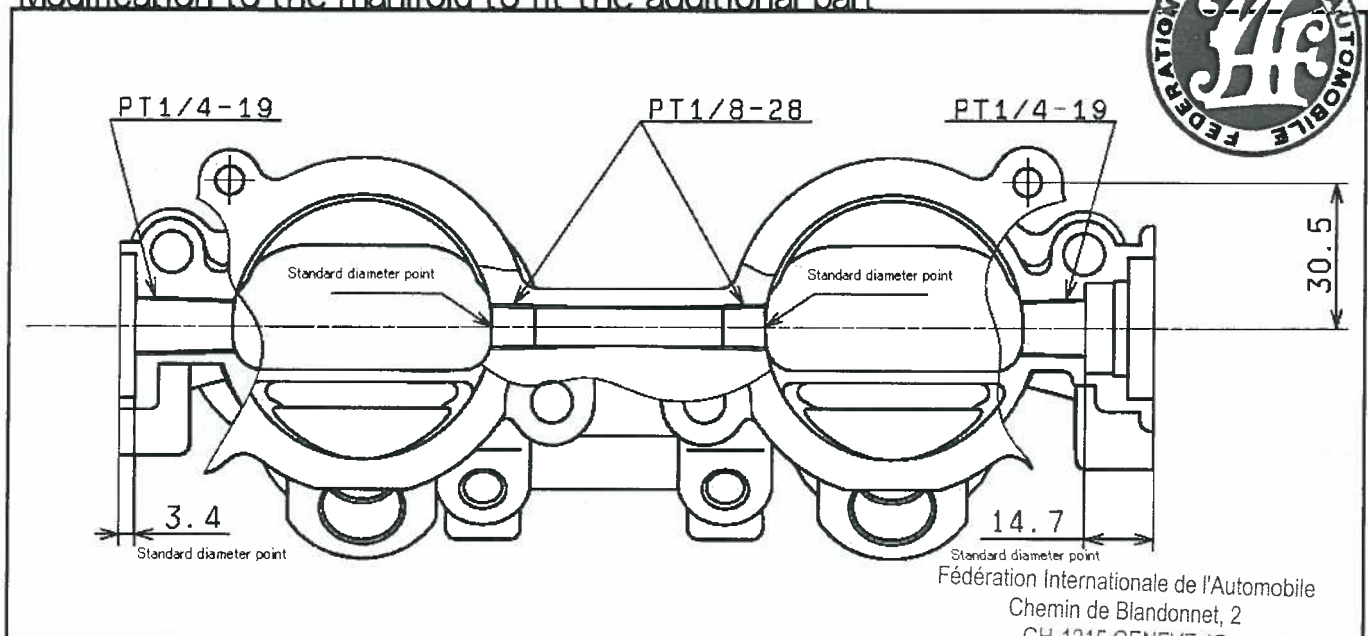
List 1 : Removable parts

	Part name	Part number	Removable part	Quantity / car
RH	MANIF ASSY-INT	14011AB363		1
	1. MANIF COMPL-INT	14001AB710	-	1
	Manifold	-	No	1
	Shaft	-	Removable	1
	Butterfly	-	Removable	2
	Bolt	-	Removable	4
	2. MOTOR COMPL-INT	14120AA050	Removable	1
	Motor	-	Removable	1
	O-ring	-	Removable	1
	3. FLANGE BOLT	-010406160	Removable	2
	4. SEN ASSY-THROT	22633AA210	Removable	1
5. B & WAY-4x 8x 8	-800504010	Removable	2	
LH	MANIF ASSY-INT	14011AB373		1
	1. MANIF COMPL-INT	14001AB710	-	1
	Manifold	-	No	1
	Shaft	-	Removable	1
	Butterfly	-	Removable	2
	Bolt	-	Removable	4
	2. MOTOR COMPL-INT	14120AA060	Removable	1
	Motor	-	Removable	1
	O-ring	-	Removable	1
	3. FLANGE BOLT	-010406160	Removable	2
	4. SEN ASSY-THROT	22633AA210	Removable	1
5. B & WAY-4x 8x 8	-800504010	Removable	2	
6. FILTER	14451AA030	Removable	1	

List 2 : Additional parts when removing the parts in list 1

	Part name	Part number	Quantity / car
RH & LH	M10 HOLLOWSET	15027ZR000	4
	M12 HOLLOWSET	15027ZR010	4

Modification to the manifold to fit the additional part



Fédération Internationale de l'Automobile
Chemin de Blandonnet, 2
CH-1215 GENEVE 15

Tél.: 41 22 544 44 00
Fax Sport: 41 22 544 44 50

Marque
Make **FUJI**

Modèle
Model **GRB**

Homologation N°

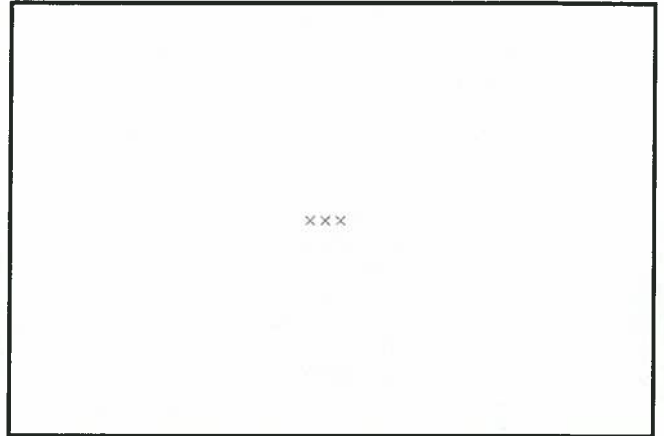
N-5714

Extension N°

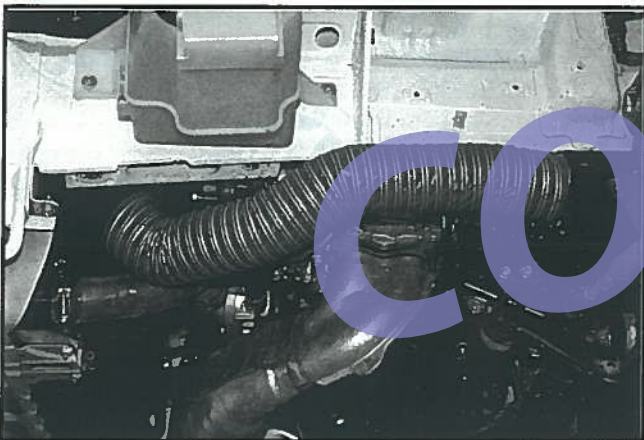
16/08 VO

JAF 公認番号 FN-085 VO-15/8

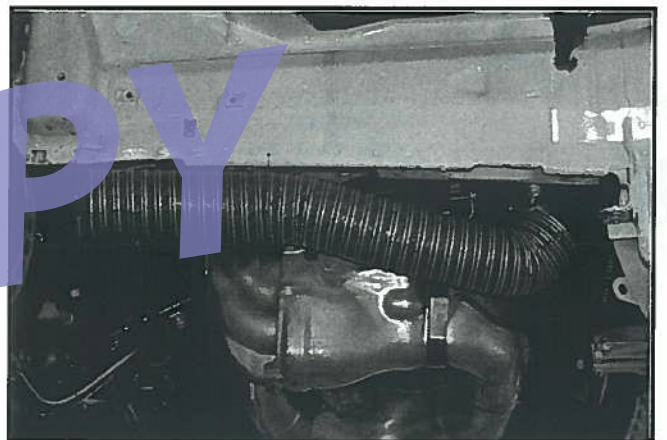
1005305)



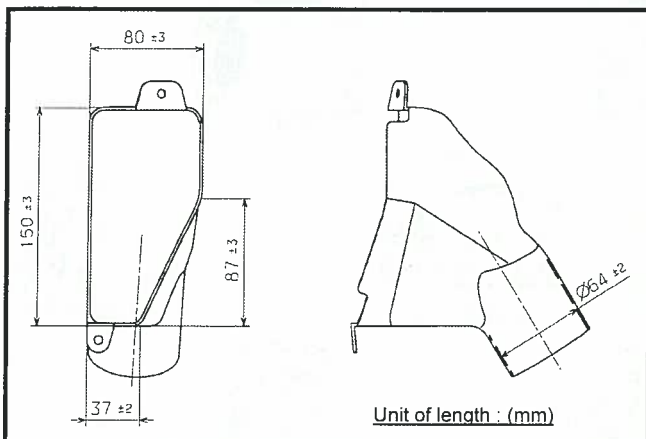
1005306)



1005307)



1005902)



1005903)

