



FEDERATION INTERNATIONALE
DE L'AUTOMOBILE

Groupe / Group

N

FICHE D'EXTENSION D'HOMOLOGATION
HOMOLOGATION EXTENSION FORM

Homologation N°

N-5738

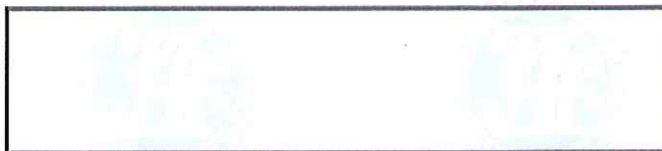
Extension N°

01/01 VO

JAF 公認番号 FN-088 VO-1/1

JAF 発効日 2011年8月1日

Homologation valable à partir du **01 AOUT 2011**
Homologation valid as from



ER Erratum / Erratum

VF Variante de fourniture / Supply variant

ET Evolution du type / Evolution of the type

VO Variante option / Option variant

VP Variante de Production / Production variant

101. CONSTRUCTEUR DU VEHICULE / MANUFACTURER OF THE VEHICLE

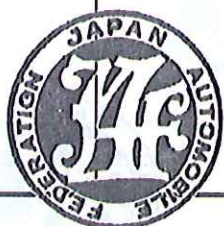
FUJI HEAVY INDUSTRIES LTD.

102. MODÈLE ET TYPE DE VEHICULE / MODEL AND TYPE OF THE VEHICLE

a) Modèle et type
Model and type

SUBARU IMPREZA WRX STI 4 door (2010) , GVB

Page or Extension	Article	Description	Photo n°
	3	ENGINE ENGINE SUPPORT Engine supports and brackets, dismantled Engine support dimensions when dismantled Position of the engine is identical to the original	_____ _____ <u>1102301</u> <u>1102901</u> _____
		SECONDARY AIR SYSTEM Following parts are removable Secondary air valve and brackets, dismantled Tube LH side, dismantled Combination valve and tube RH side, dismantled Additional parts for the engine, when removing Photo 1102302, 1102303, 1102304 No modification will be made on the cylinder head when removing secondary air system except the parts shown on photo 1102305 for closing.	_____ _____ <u>1102302</u> <u>1102303</u> <u>1102304</u> <u>1102305</u> _____
		TUMBLE GENERATOR VALVE SYSTEM Tumble generator valve system assembly, dismantled Removable parts, disassembled Additional parts when removing Photo 1102307 Additional parts, assembled Details of the removable parts and additional parts	_____ _____ <u>1102306</u> <u>1102307</u> <u>1102308</u> <u>1102309</u> <u>1102902</u>



Fédération Internationale de l'Automobile
Chemin de Binconnet, 2
CH-1214 CHAMBEVE 15

Tél.: 41 22 544 44 00

Fax Sport: 41 22 544 44 5000 - 19.10.2010

Marque
Make **FUJI**

Modèle
Model **GVB**

Homologation N°

N-5738

Extension N°

01/01 VO

JAF 公認番号 FN-088 VO-1/1

Page or Extension	Article	Description	Photo n°
	331	COOLING SYSTEM	—
		Radiator hose kit "Part number 45162ZR000"	<u>1102310</u>
		Radiator kit, dismounted "Part number 45119FE020"	<u>1102311</u>
		Radiator kit, mounted	<u>1102312</u>
		Radiator, dismounted - Included In Photo 1102311 - Part from homologation No. A/N-5695	<u>1102313</u>
		Engine oil cooler kit, dismounted "Part number 45511ZR000"	<u>1102314</u>
		Engine oil cooler kit, mounted	<u>1102315</u>
		RESTRICTOR	—
		Restrictor & duct assembly, type 1N	<u>1102316</u>
		Disassembled parts, type 1N	<u>1102317</u>
		Elbow turbo charger kit : Part number "14459ZR010"	—
		Elbow turbo charger : Part number "14459F0J15"	—
		Restrictor : Part number "10020ZR010"	<u>1102903</u>
		Restrictor & duct assembly, type 2N	<u>1102318</u>
		Disassembled parts, type 2N	<u>1102319</u>
		Elbow turbo charger : Part number "N14/J5/007-2"	—
		Restrictor : Part number "N15/J2/015-1"	<u>1102904</u>
		Modification of Intake manifold for Photo 1102318, 1102319	<u>1102320</u>
		Modification of Intake manifold adaptor for Photo 1102318, 1102319	<u>1102321</u>
	602	CLUTCH	—
		Clutch cover outside view	<u>1102322</u>
		Clutch cover inside view	<u>1102323</u>
	603	GEAR BOX	—
	d)	Type and location of control	—
		Gear shift link	<u>1102324</u>
	e)	Ratios	—
		Teeth Ratios	—
		1 12x40 3.333	—
		2 13x31 2.385	—
		3 16x28 1.750	—
		4 18x24 1.333	—
		5 25x26 1.040	—
		R (12x26)x(26x41) 3.417	—



Fédération Internationale de l'Automobile
Chemin de Blandonnet, 2
CH-1215 GENEVE 15

Tel.: 41 22 544 44 00

Fax Sport: 41 22 544 44 50

Marque
Make **FUJI**

Modèle
Model **GVB**

Homologation N°

N-5738

Extension N°

01/01 VO

JAF 公認番号 FN-088 VO-1/1

Page or Extension	Article	Description	Photo n°
	603	GEARBOX	—
	h)	Oil cooler	—
		Oil cooler kit, dismounted	<u>1102325</u>
		Oil cooler kit, mounted	<u>1102326</u>
		Gearbox case modification for connecting oil cooler kit	<u>1102327</u>
		Gearbox case modification for connecting oil cooler kit	<u>1102328</u>
		Gearbox case modification and additional parts for connecting oil cooler kit	<u>1102329</u>
		Gearbox case modification and additional parts for connecting oil cooler kit	<u>1102330</u>
	604	TRANSFER	—
		Ratios : 1.000	—
		Teeth : 31x31	—
	605	FINAL DRIVE	—
		Teeth Ratios	—
		Front 11x39 3.545	—
	d)	Type of differential limitation	—
		Front LSD, dismounted	<u>1102331</u>
		Front LSD, disassembled (Number of friction plates = 8 / Number of friction discs = 8)	<u>1102332</u>
		Front LSD cam angle	<u>1102905</u>
		Rear LSD, dismounted	<u>1102333</u>
		Rear LSD, disassembled (Number of friction plates = 12 / Number of friction discs = 12)	<u>1102334</u>
		Rear LSD cam angle	<u>1102906</u>
	f)	Rear differential oil cooler	<u>1102335</u>
	606	SHAFTS	—
		Front transversal half shafts, type 1NF - Part number "28321ZR010"	<u>1102336</u>
		Front transversal half shafts, type 1NF	<u>1102907</u>
		Rear transversal half shafts, type 1NR - Part number "28421ZR010"	<u>1102337</u>
		Rear transversal half shafts, type 1NR	<u>1102908</u>



Fédération Internationale de l'Automobile
Chemin de Blandonnet, 2
CH-1215 GENEVE 15

Tel.: 41 22 544 44 00

Fax Sport: 41 22 544 44 50

Marque
Make **FUJI**

Modèle
Model **GVB**

Homologation N°

N-5738

Extension N°

01/01 VO

JAF 公認番号 FN-088 VO-1/1

Page or Extension	Article	Description	Photo n°
	803	BRAKES	—
	h)	Parking brake	—
	h1)	Control system : Hydraulic (Optional with original cables as a standard)	—
		Parking brake, dismounted, type-1, right hand side	1102348
		Parking brake, mounted, type-1, right hand side	1102349
		Parking brake, dismounted, type-1, left hand side	1102350
		Parking brake, mounted, type-1, left hand side	1102351
		Parking brake, dismounted, type-2	1102352
		Parking brake, mounted, type-2	1102353
		Hydraulic parking brake control system	1102915
		BRAKE DISC AND CALIPER, KIT - derived from different series production and it must be used in its entirety	—
		Front brake kit : Part number "26100ZR020"	1102354
		Front brake callper - (Included in Photo 1102354)	1102376
		Front brake disc - (Included in Photo 1102354)	1102376
		Rear brake kit : Part number "26100ZR030"	1102355
		Rear brake callper mounting bracket - (Included in Photo 1102355)	1102356
		Rear brake back plate - (Included in Photo 1102355)	1102357
		Rear brake callper - (Included in Photo 1102355)	1102377
		Rear brake disc - (Included in Photo 1102355)	1102377
		Braking regulator valve, view 1	1102358
		Braking regulator valve, view 2	1102359
		Original homologation No. A-5652 / Model and type : SUBARU IMPREZA WRX (E), GDA	—
	804	STEERING	—
		Oil cooler	1102360
		Steering rod with reinforcement	1102361
			—
			—



Fédération Internationale de l'Automobile
Chemin de Blandonnet, 2
CH-1215 GENEVE 15
Tél.: 41 22 544 44 00
Fax Sport: 41 22 544 44 50

Marque
Make

FUJI

Modèle
Model

GV8

Homologation N°

N-5738

Extension N°

01/01 VO

JAF 公認番号 FN-088 VO-1/1

Page or Extension	Article	Description	Photo n°
	901	INTERIOR	—
		Seat mounting bracket, Left hand drive - Left hand side	<u>1102362</u>
		Seat mounting bracket, Left hand drive - Right hand side	<u>1102363</u>
		Seat mounting tube, Right hand drive - Left hand side	<u>1102364</u>
		Tube diameter : 38mm / Tube thickness : 1.2mm	—
		Tube diameter : 38mm / Tube thickness : 2.0mm	—
		Seat mounting tube, Right hand drive - Right hand side	<u>1102365</u>
		Tube diameter : 38mm / Tube thickness : 1.2mm	—
		Tube diameter : 38mm / Tube thickness : 2.0mm	—
		Seat mounting tube, Left hand drive - Left hand side	<u>1102366</u>
		Tube diameter : 38mm / Tube thickness : 1.2mm	—
		Tube diameter : 38mm / Tube thickness : 2.0mm	—
		Tube diameter : 40mm / Tube thickness : 2.0mm	—
		Seat mounting tube, Left hand drive - Right hand side	<u>1102367</u>
		Tube diameter : 38mm / Tube thickness : 1.2mm	—
		Tube diameter : 38mm / Tube thickness : 2.0mm	—
		Tube diameter : 40mm / Tube thickness : 2.0mm	—
		Central console, dismounted	<u>1102368</u>
		Central console, mounted	<u>1102369</u>
		May be modified when mounting photo 1102348, 1102349, 1102350, 1102351, 1102352, 1102363	—
	902	EXTERIOR	—
		Roof ventilator	<u>1102370</u>
		Roof ventilator	<u>1102916</u>
	3	ENGINE	—
	334	TURBO CHARGING	—
		INTERCOOLER WATER SPRAY SYSTEM	—
		Intercooler spray kit	<u>1102371</u>
		Water tank mounting type 1 - behind the seat, LH - Brackets may vary	<u>1102372</u>
		Water tank mounting type 2 - behind the seat, RH - Brackets may vary	<u>1102373</u>
		Water tank mounting type 3 - beside rear door, LH - Brackets may vary	<u>1102374</u>
		Water tank mounting type 4 - beside rear door, RH - Brackets may vary	<u>1102375</u>
		Intercooler water spray system	<u>1102917</u>
		System is not connected to the ECU	—
		Only pure water may be used	—



Fédération Internationale de l'Automobile
 Chemin de Blandonnet, 2
 CH-1215 GENEVE 15
 Tél: 41 22 544 44 00

Marque
Make **FUJI**

Modèle
Model **GVB**

Homologation N°

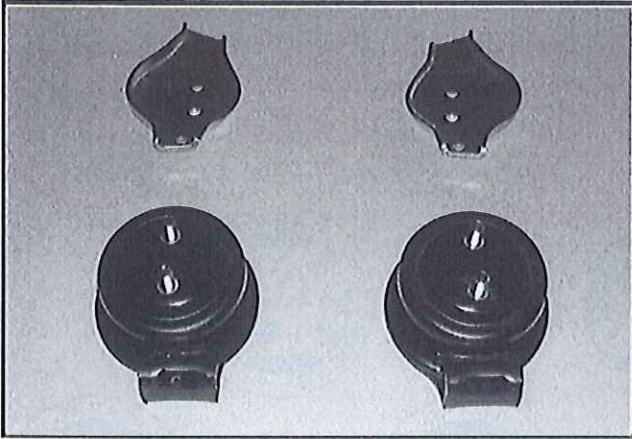
N-5738

Extension N°

01/01 VO

JAF 公認番号 FN-088 VO-1/1

1102301)



1102302)



1102303)



1102304)



1102305)



Marque
Make **FUJI**

Modèle
Model **GVB**

Homologation N°

N-5738

Extension N°

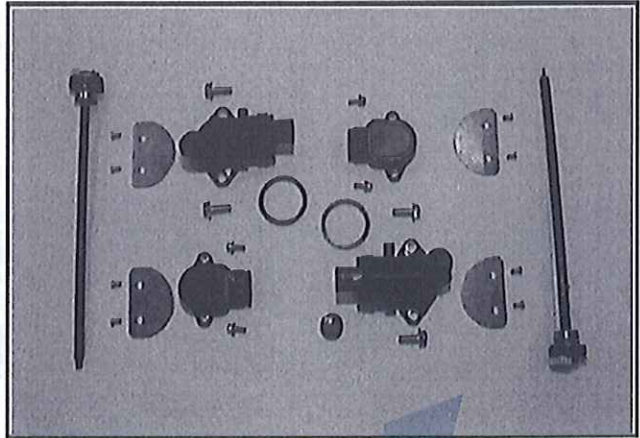
01/01 VO

JAF 公認番号 FN-088 VO-1/1

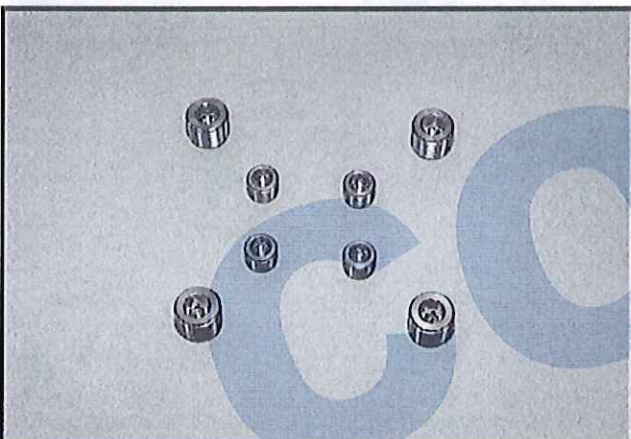
1102306)



1102307)



1102308)



1102309)



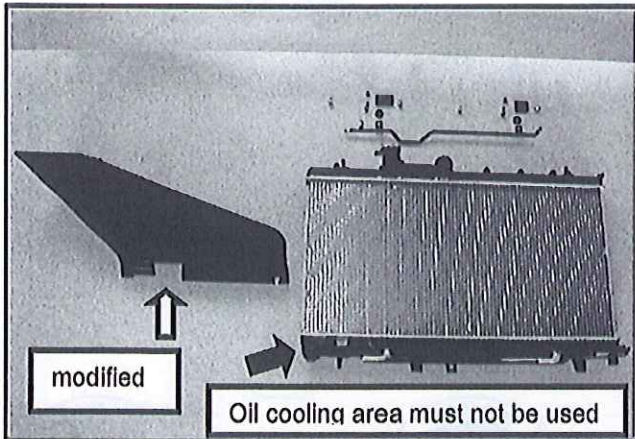
— 1



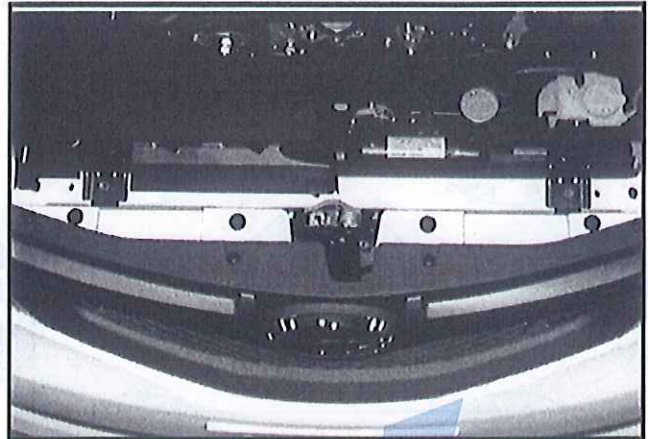
1102310)



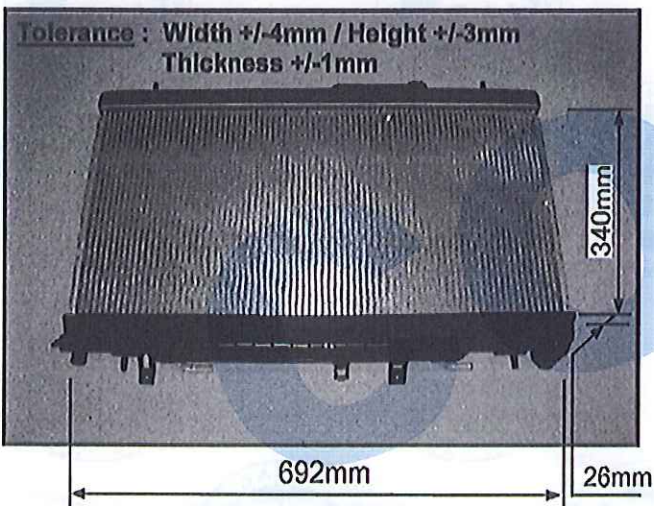
1102311)



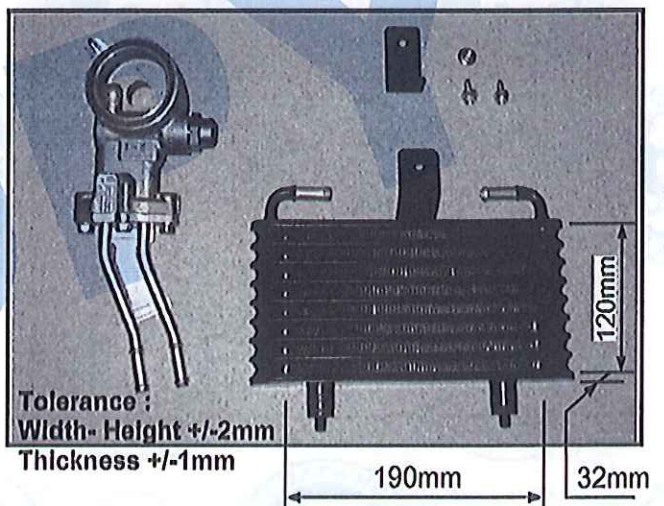
1102312)



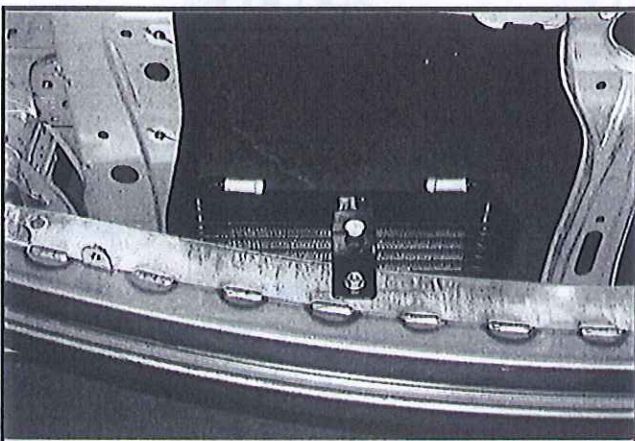
11023013)



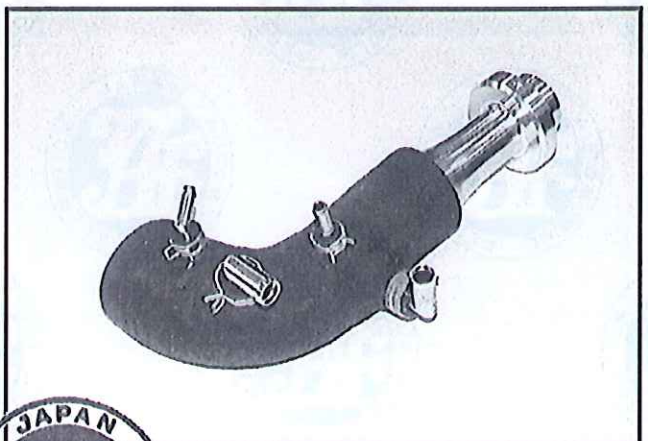
1102314)



1102315)



1102316)



Marque
Make **FUJI**

Modèle
Model **GVB**

Homologation N°

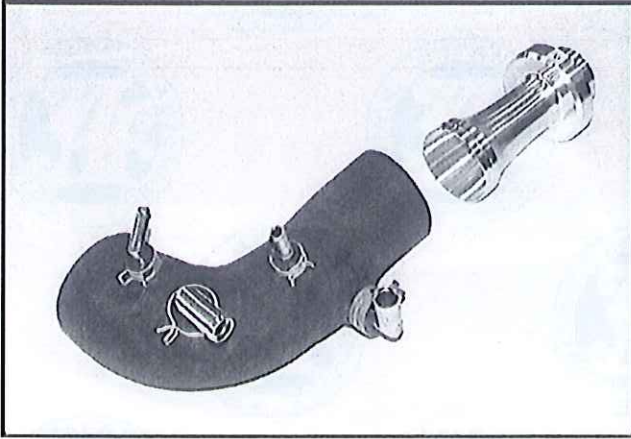
N-5738

Extension N°

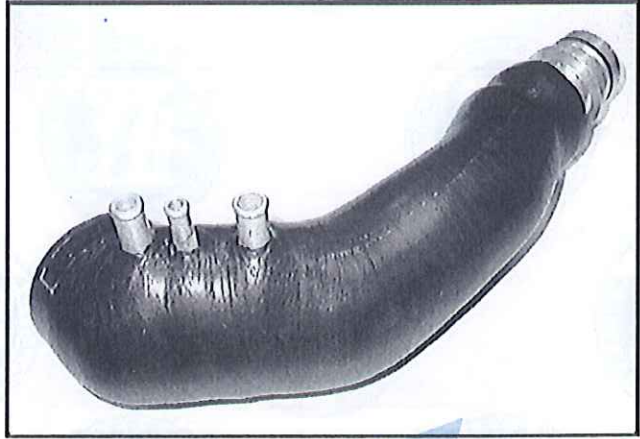
01/01 VO

JAF 公認番号 FN-088 VO-1/1

1102317)



1102318)



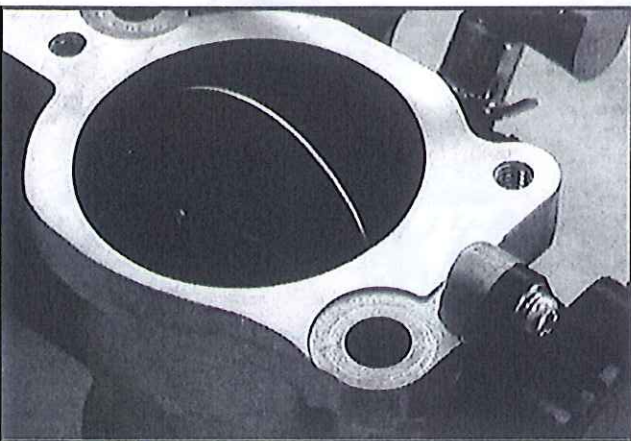
1102319)



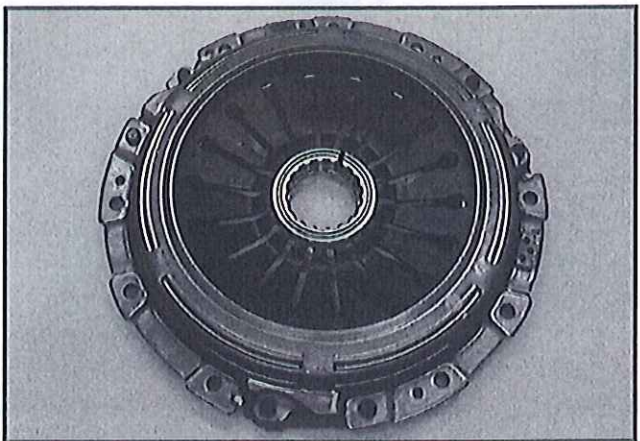
1102320)



1102321)



1102322)



Marque
Make **FUJI**

Modèle
Model **GVB**

Homologation N°

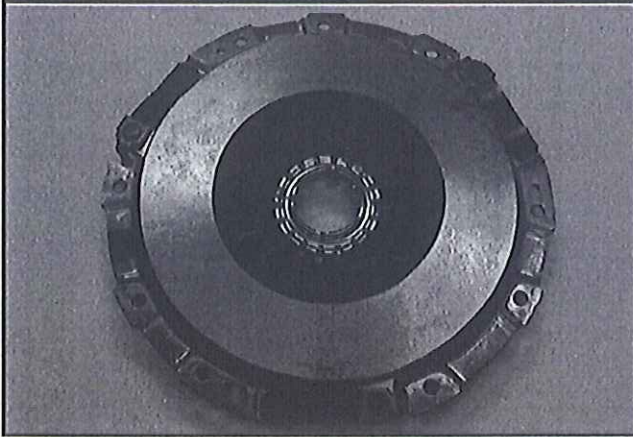
N-5738

Extension N°

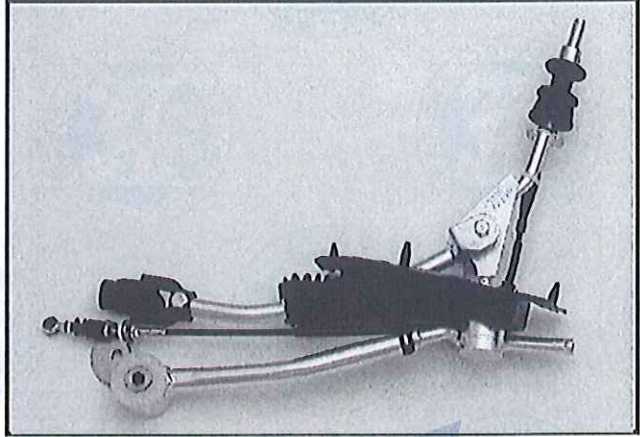
01/01 VO

JAF 公認番号 FN-088 VO-1/1

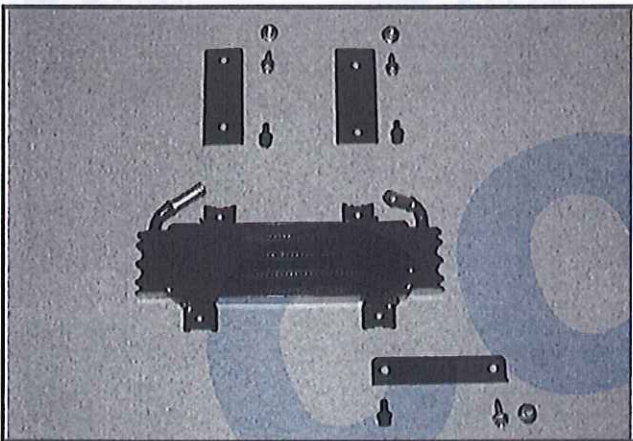
1102323)



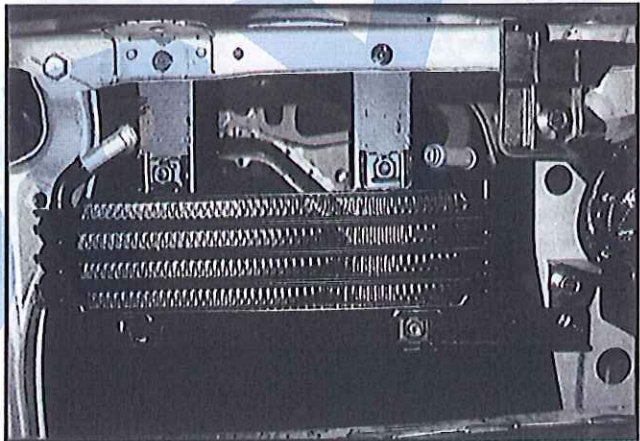
1102324)



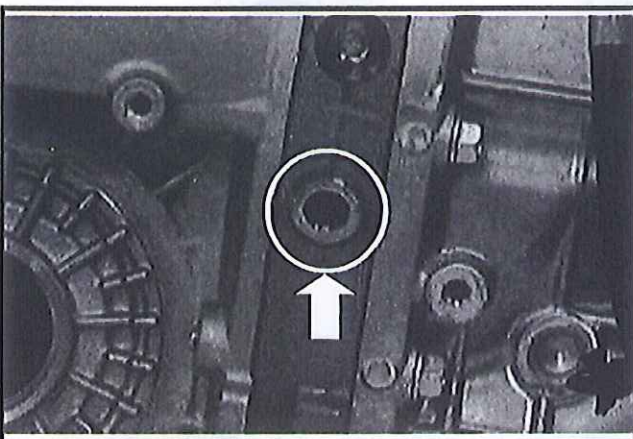
1102325)



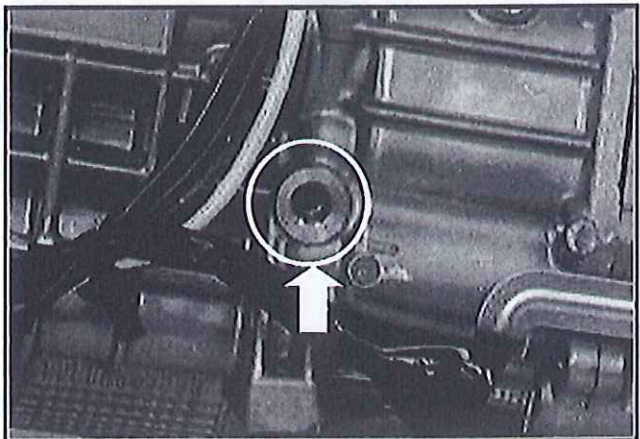
1102326)



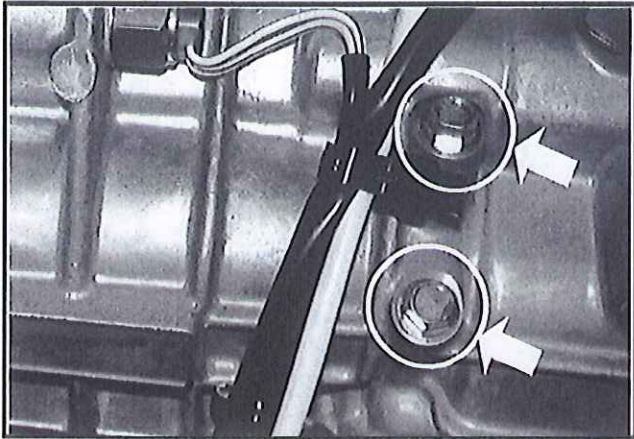
1102327)



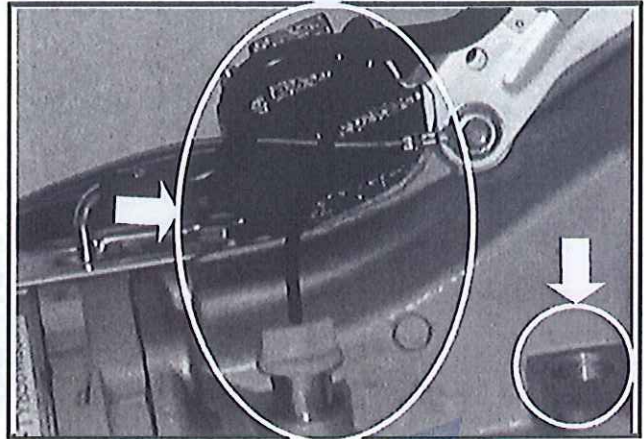
1102328)



1102329)



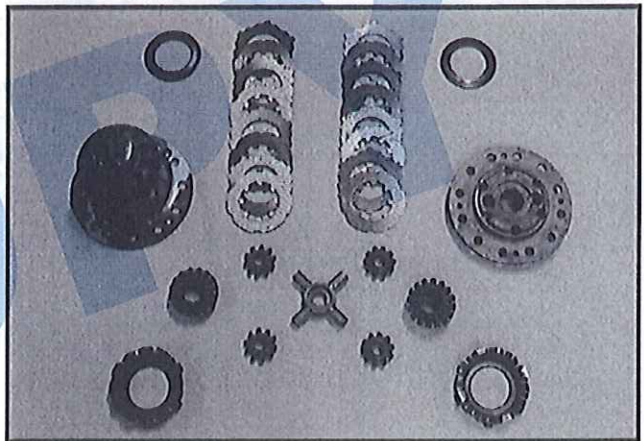
1102330)



1102331)



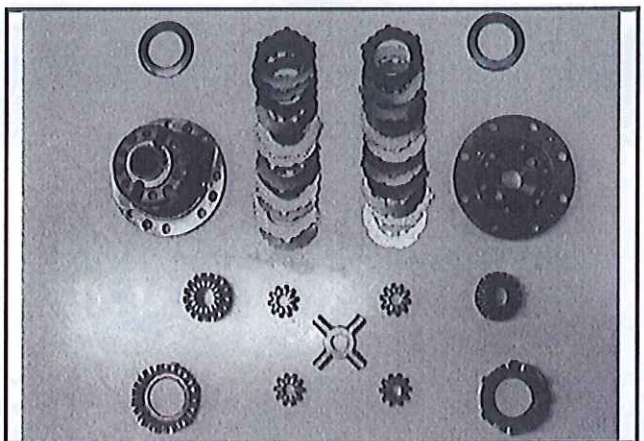
1102332)



1102333)



1102334)



Marque
Make **FUJI**

Modèle
Model **GVB**

Homologation N°

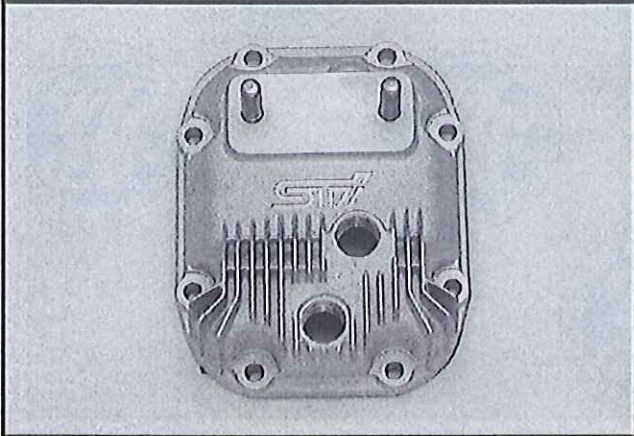
N-5738

Extension N°

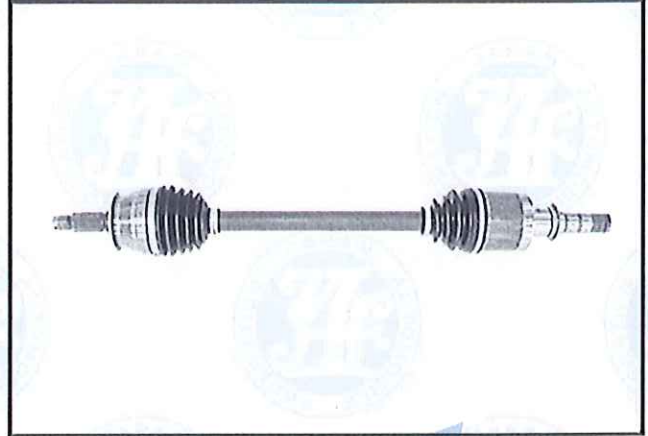
01/01 VO

JAF 公認番号 FN-088 VO-1/1

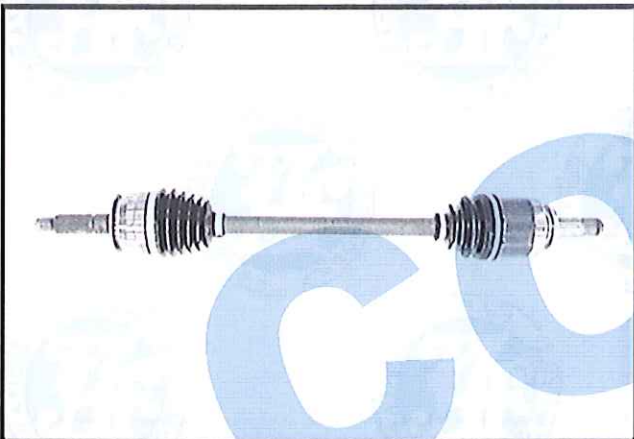
1102335)



1102336)



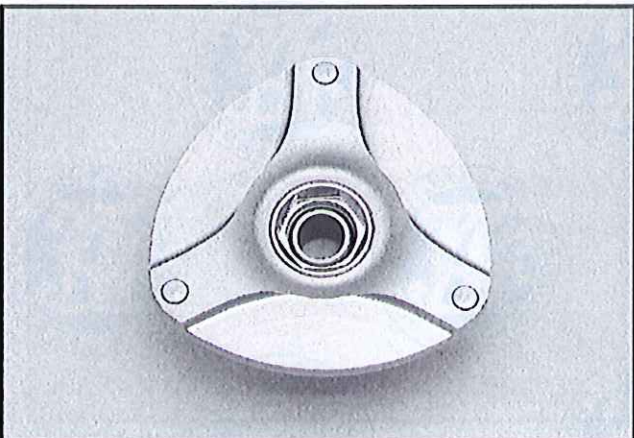
1102337)



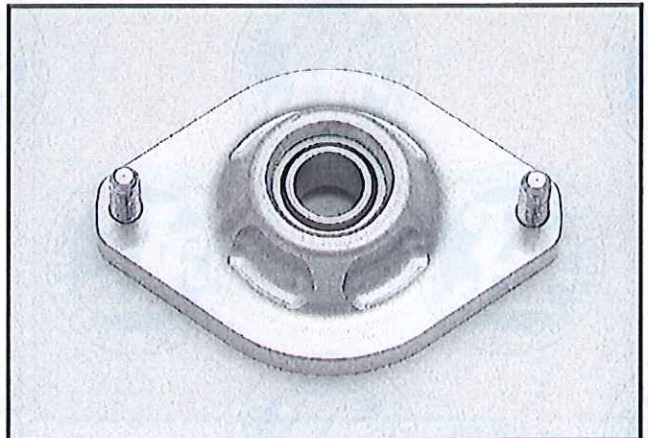
1102338)



1102339)



1102340)



Marque
Make **FUJI**

Modèle
Model **GVB**

Homologation N°

N-5738

Extension N°

01/01 VO

JAF 公認番号 FN-088 VO-1/1

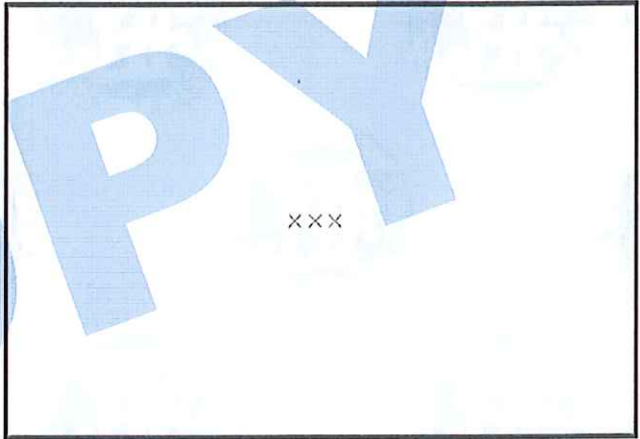
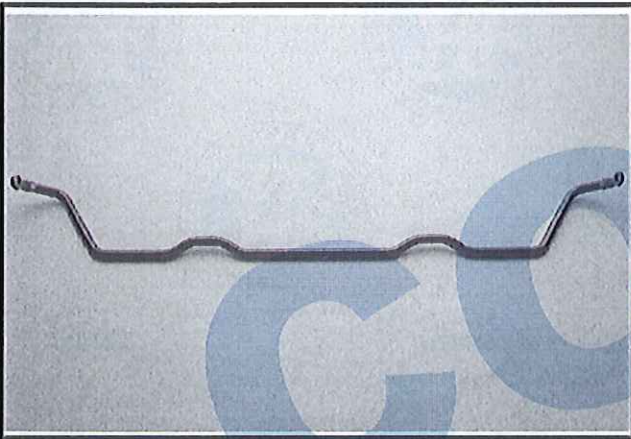
1102341)



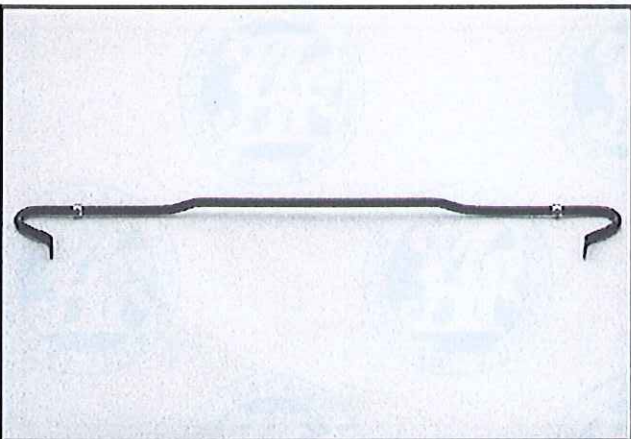
1102342)



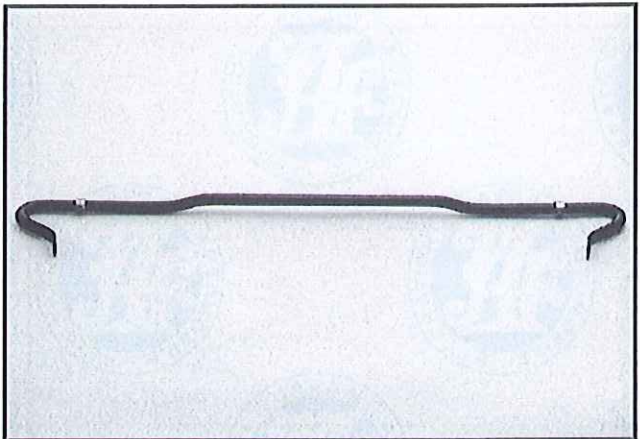
1102343)



1102344)



1102345)



Marque
Make **FUJI**

Modèle
Model **GVB**

Homologation N°

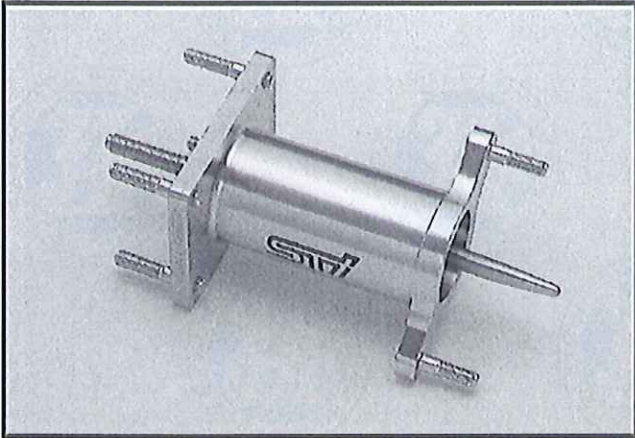
N-5738

Extension N°

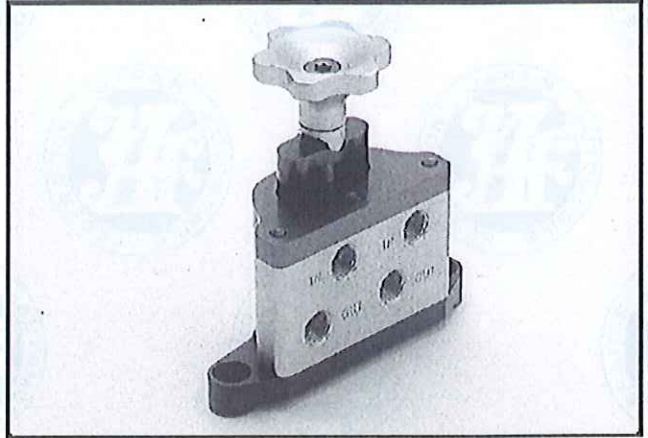
01/01 VO

JAF 公認番号 FN-088 VO-1/1

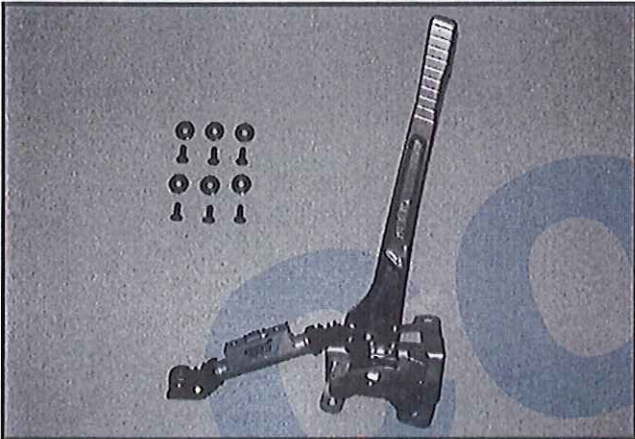
1102346)



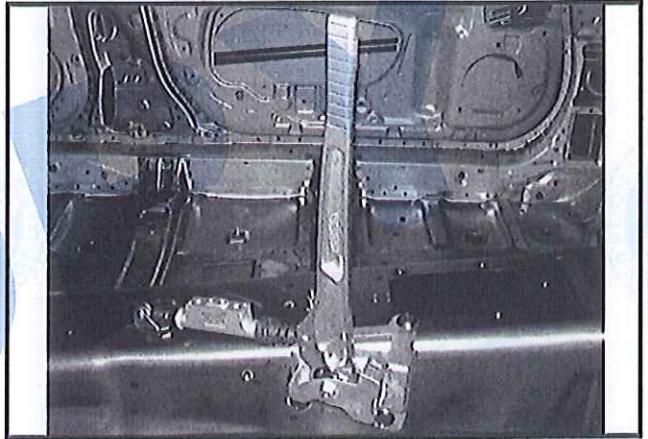
1102347)



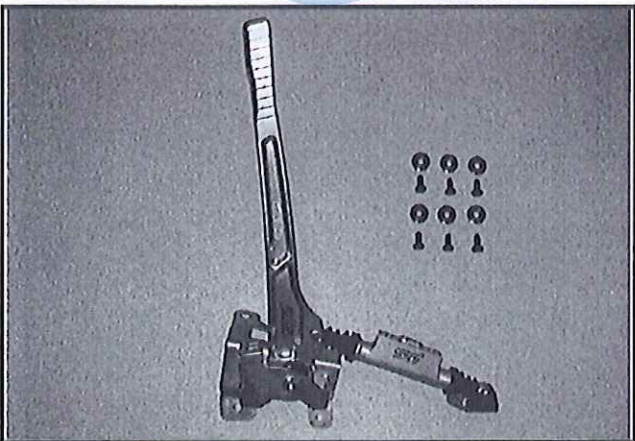
1102348)



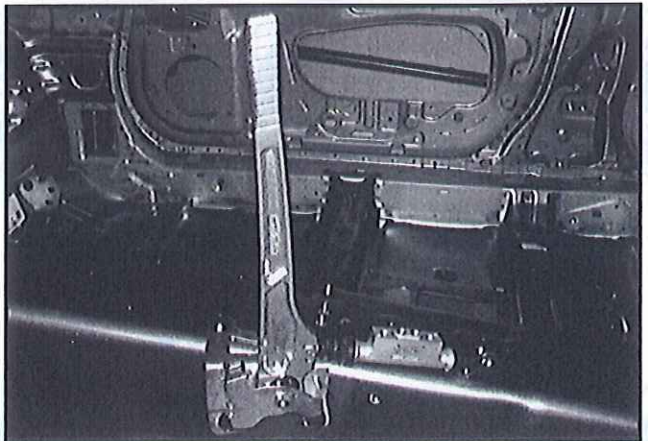
1102349)



1102350)



1102351)



Fédération Internationale de l'Automobile
Chemin de Blandonnet, 2
CH-1215 GENEVE 15
Tél.: 41 22 544 44 00
Fax Sport: 41 22 544 44 50
100 - 19.10.2010

Marque
Make **FUJI**

Modèle
Model **GVB**

Homologation N°

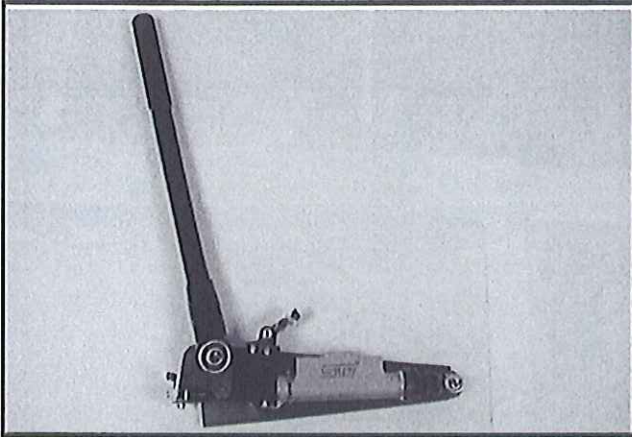
N-5738

Extension N°

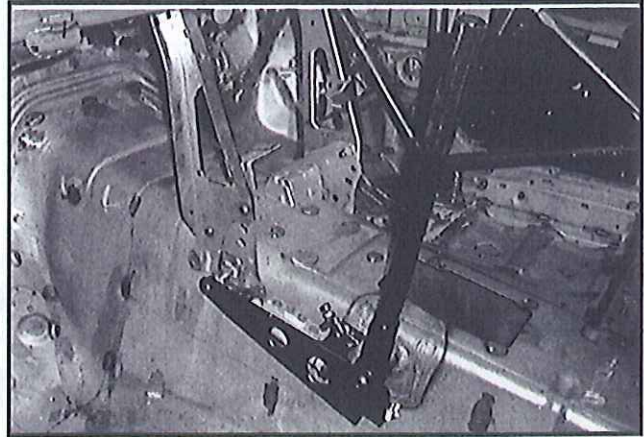
01/01 VO

JAF 公認番号 FN-088 VO-1/1

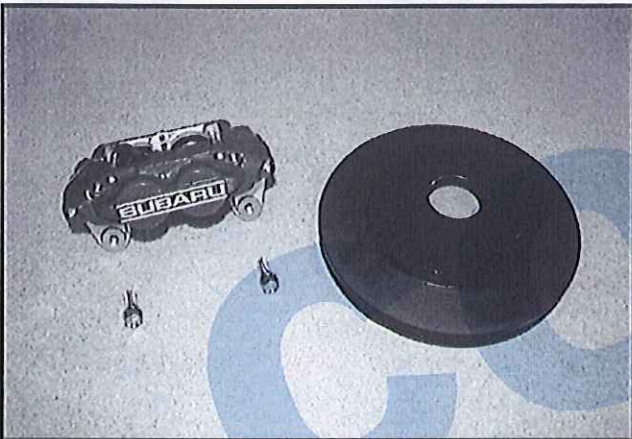
1102352)



1102353)



1102354)



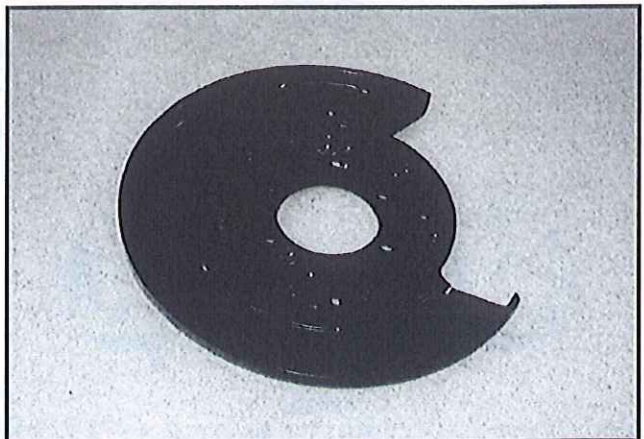
1102355)



1102356)



1102357)



Marque
Make **FUJI**

Modèle
Model **GVB**

Homologation N°

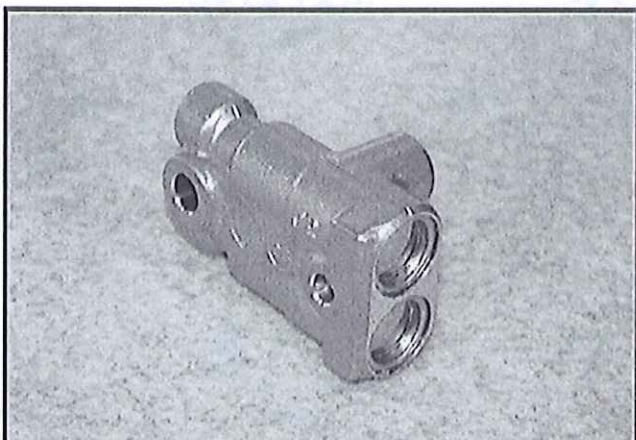
N-5738

Extension N°

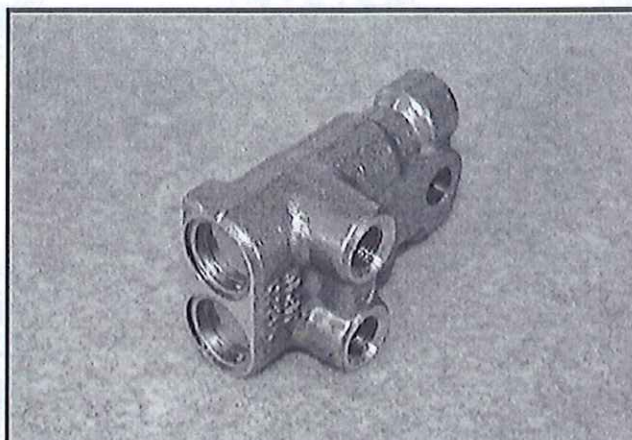
01/01 VO

JAF 公認番号 FN-088 VO-1/1

1102360)



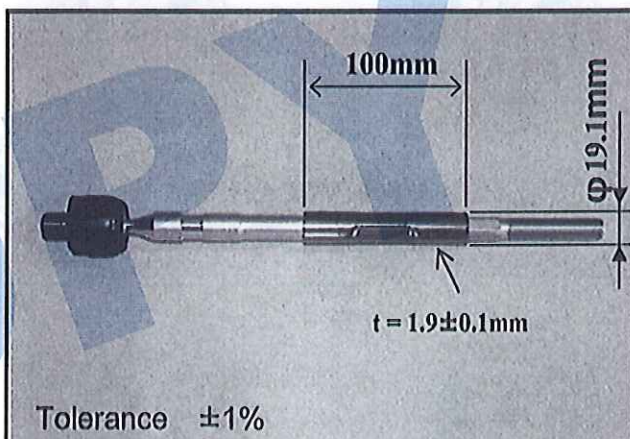
1102360)



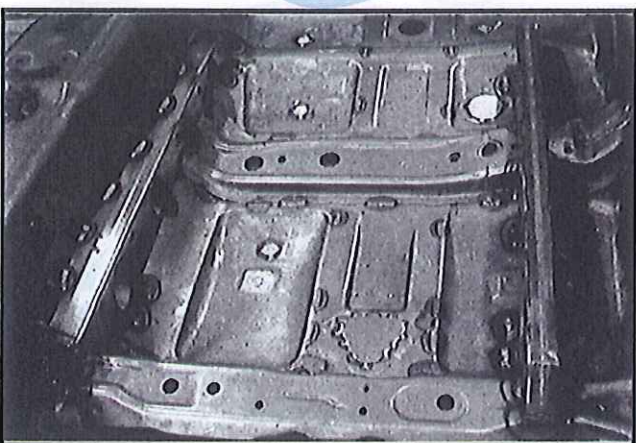
1102360)



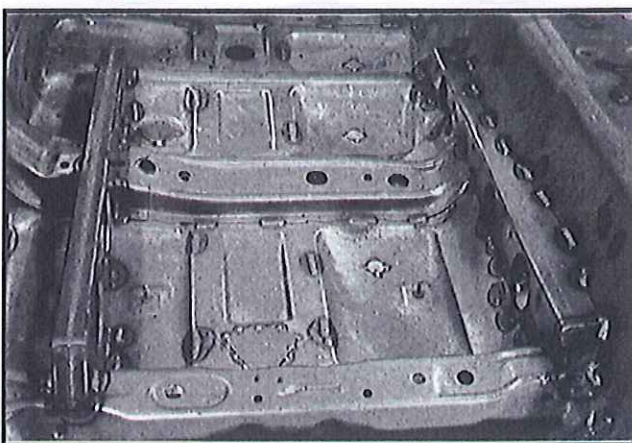
1102361)



1102362)



1102363)



Marque
Make **FUJI**

Modèle
Model **GVB**

Homologation N°

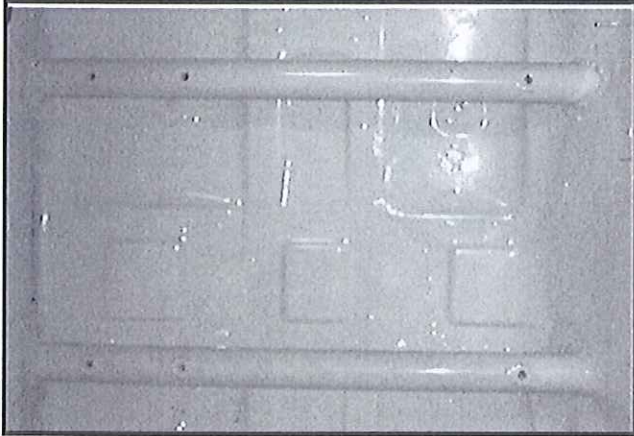
N-5738

Extension N°

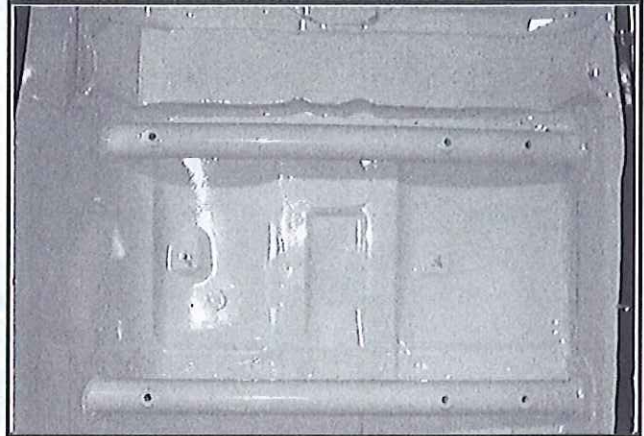
01/01 VO

JAF 公認番号 FN-088 VO-1/1

1102364)



1102365)



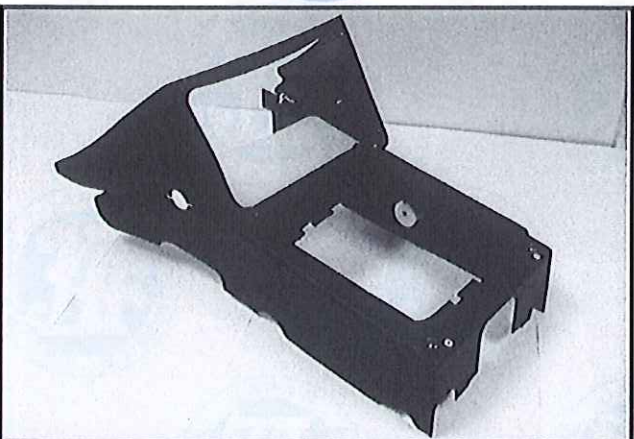
1102366)



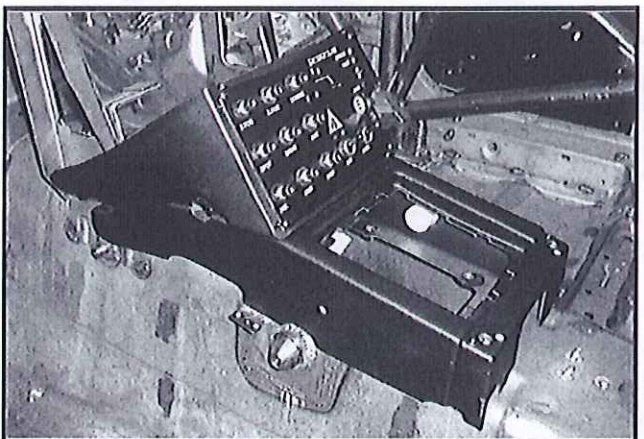
1102367)



1102368)



1102369)



Marque
Make **FUJI**

Modèle
Model **GVB**

Homologation N°

N-5738

Extension N°

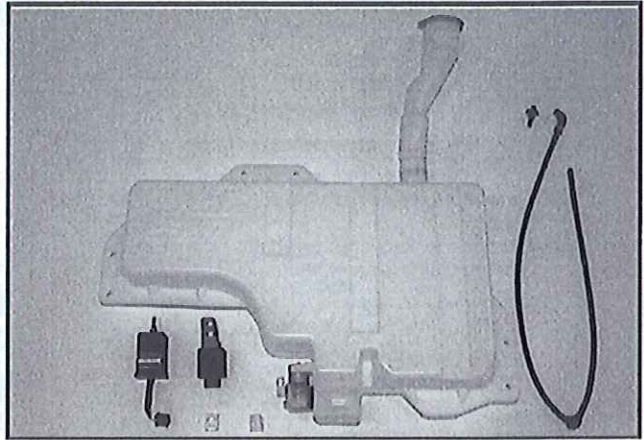
01/01 VO

JAF 公認番号 FN-088 VO-1/1

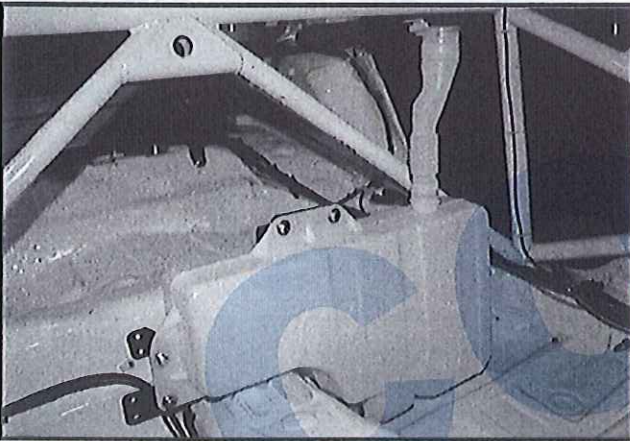
1102370)



1102371)



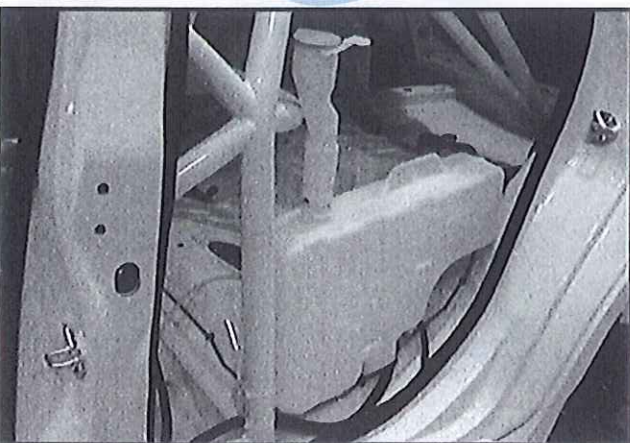
1102372)



1102373)



1102374)



1102375)



Marque
Make **FUJI**

Modèle
Model **GVB**

Homologation N°

N-5738

Extension N°

01/01 VO

JAF 公認番号 FN-088 VO-1/1

803. FREINS / BRAKES

e) Nombre de cylindres par roue
Number of cylinders per wheel

e1) Alésage
Bore

g) Freins à disques / Disc brakes

g1) Nombre de plaquettes par roue
Number of pads per wheel

g2) Nombre d'étriers par roue
Number of callipers per wheel

g3) Matériau des étriers
Caliper material

g4) Epaisseur du disque neuf
Thickness of new disc

g5) Diamètre extérieur du disque
External diameter of disc

g6) Diamètre extérieur de frottement des plaquettes
External diameter of pads'rubbing surface

g7) Diamètre intérieur de frottement des plaquettes
Internal diameter of pads'rubbing surface

g8) Longueur de friction hors-tout de chaque plaquette
Overall friction length of each pad

g9) Disques ventilés
Ventilated discs

AVANT / FRONT		ARRIERE / REAR	
	4		2
40.4	± 0.2 mm	38.0	± 0.2 mm

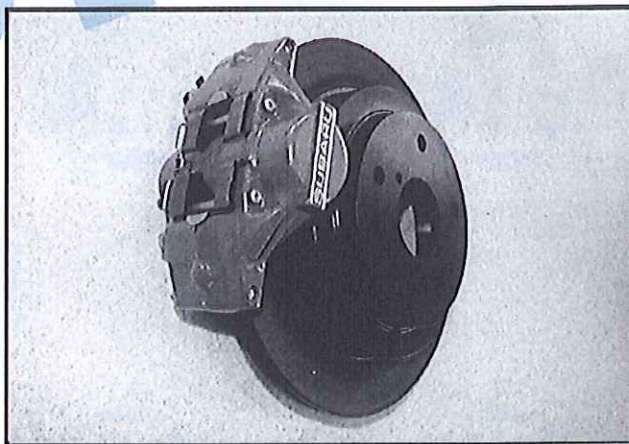
AVANT / FRONT		ARRIERE / REAR	
	2		2
	1		1
	STEEL		ALUMINIUM ALLOY
24	±1 mm	18	±1 mm
294	±1.5 mm	290	±1.5 mm
292	±1.5 mm	288	±1.5 mm
197	±1.5 mm	216	±1.5 mm
116	±1.5 mm	71.8	±1.5 mm
Oul/Yes <input checked="" type="checkbox"/>	Non/No <input type="checkbox"/>	Oul/Yes <input checked="" type="checkbox"/>	Non/No <input type="checkbox"/>

1102376)

Avant / Front

1102377)

Arrière / Rear



Fédération Internationale de l'Automobile
Chemin de Blandonnet, 2
CH-1215 GENEVE 15
Tél.: 41 22 544 44 00

Fax Sport: 41 22 544 44 50

Marque
Make **FUJI**

Modèle
Model **GVB**

Homologation N°

N-5738

Extension N°

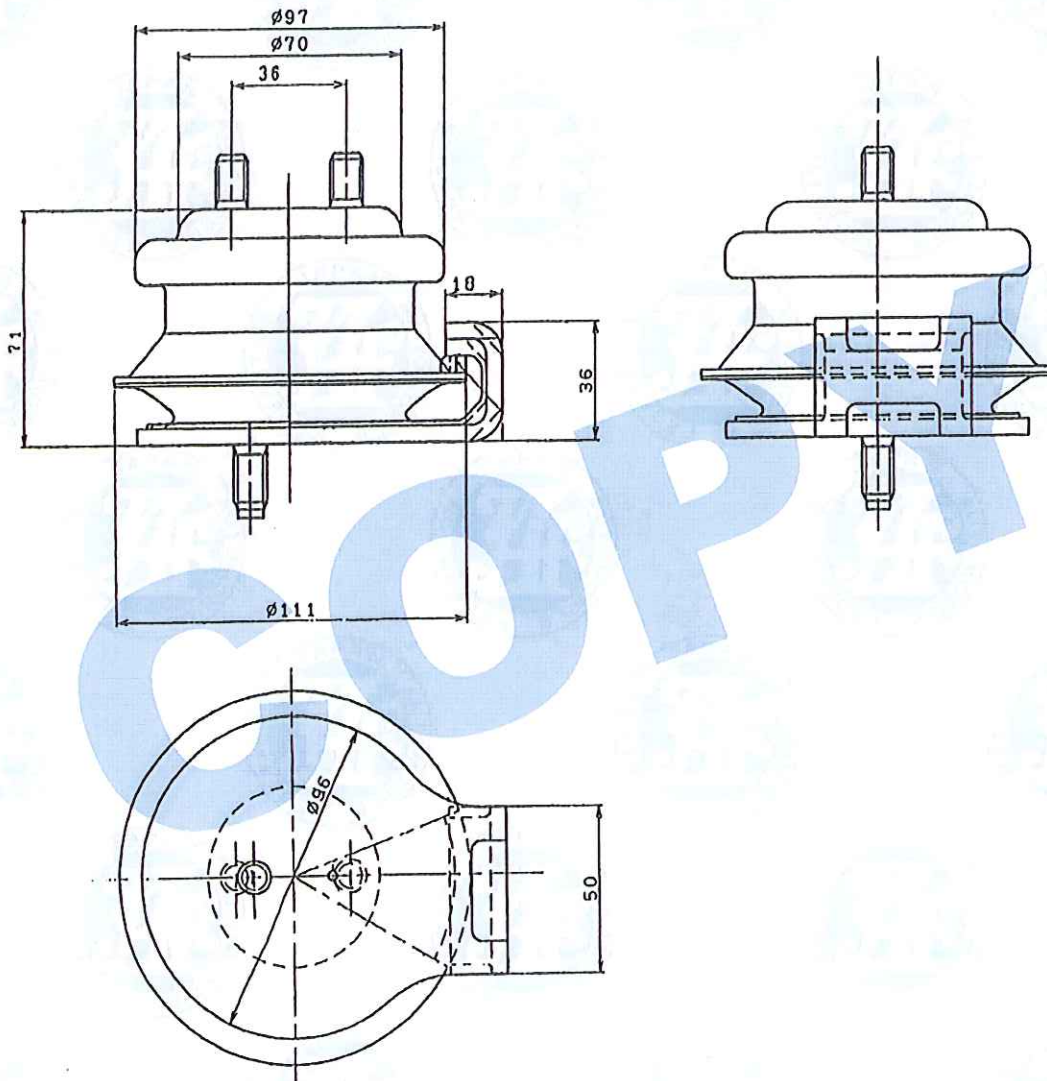
01/01 VO

JAF 公認番号 FN-088 VO-1/1

n°
Description
Photo n°

1102901) Engine support dimensions when dismantled

tolerance:±2%



Fédération Internationale de l'Automobile
Chemin de Blandonnet, 2
CH-1215 GENEVE 15
Tel.: 41 22 544 44 00

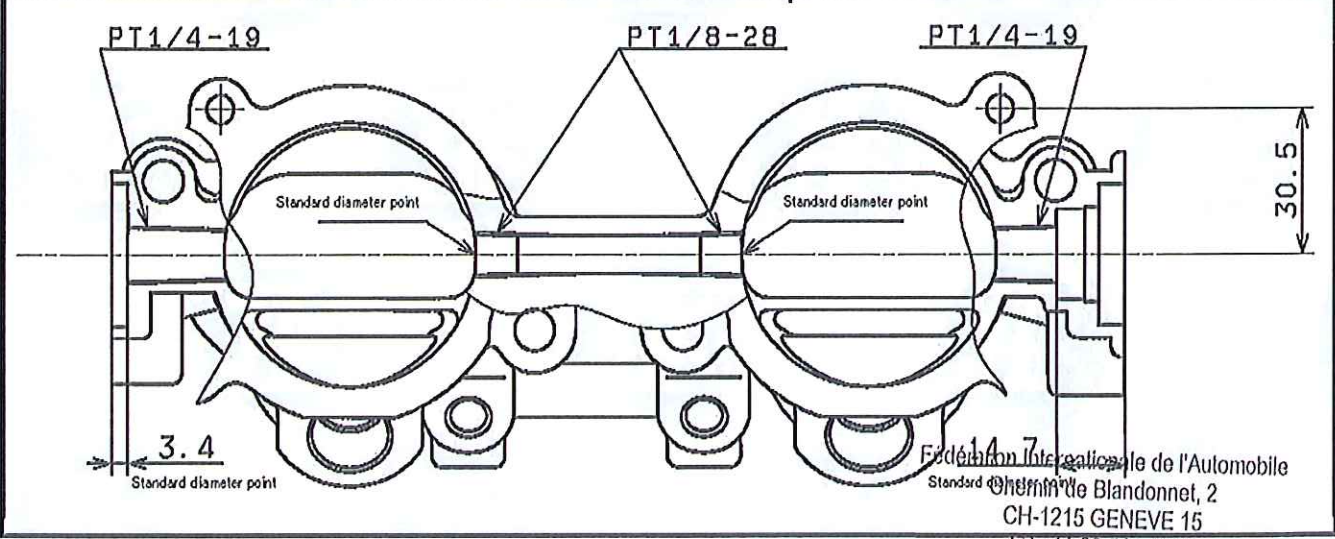
Fax Sport: 41 22 544 44 50
000 - 19.10.2010

		n°	Description	Photo n°
1102902) Details of the removable parts and additional parts for tumble generator valve system				
List 1 : Removable parts				
	Part name	Part number	Removable part	Quantity / car
RH	MANIF ASSY-INT	14011AB363		1
	1. MANIF.COMPL.-INT.	14001AB710	No	1
	Manifold	-	No	1
	Shaft	-	Removable	1
	Butterfly	-	Removable	2
	Bolt	-	Removable	4
	2. MOTOR.COMPL.-INT.	14120AA050	Removable	1
	Motor	-	Removable	1
	O-ring	-	Removable	1
	3. FLANGE.BOLT	-010406160	Removable	2
4. SEN.ASSY.-THROT.	22633AA210	Removable	1	
5. B.&WAY-4x 8x 8	-800504010	Removable	2	
LH	MANIF ASSY-INT	14011AB373		1
	1. MANIF.COMPL.-INT.	14001AB710	No	1
	Manifold	-	No	1
	Shaft	-	Removable	1
	Butterfly	-	Removable	2
	Bolt	-	Removable	4
	2. MOTOR.COMPL.-INT.	14120AA060	Removable	1
	Motor	-	Removable	1
	O-ring	-	Removable	1
	3. FLANGE.BOLT	-010406160	Removable	2
4. SEN.ASSY.-THROT.	22633AA210	Removable	1	
5. B.&WAY-4x 8x 8	-800504010	Removable	2	
6. FILTER	14451AA030	Removable	1	

List 2 : Additional parts when removing the parts in list 1

	Part name	Part number	Quantity / car
RH & LH	M10 HOLLOWSET	15027ZR000	4
	M12 HOLLOWSET	15027ZR010	4

Modification to the manifold to fit the additional part



Marque
Make **FUJI**

Modèle
Model **GVB**

Homologation N°

N-5738

Extension N°

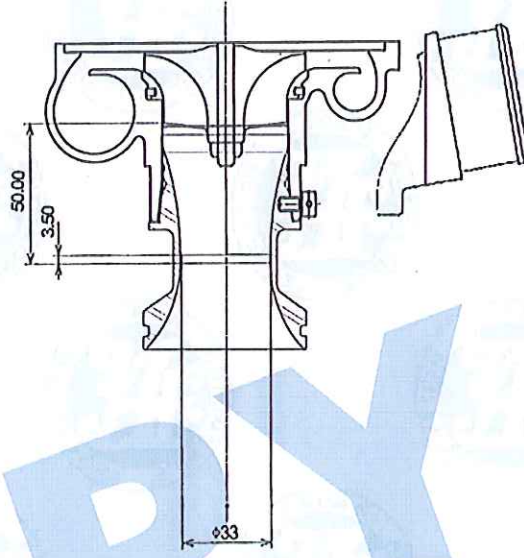
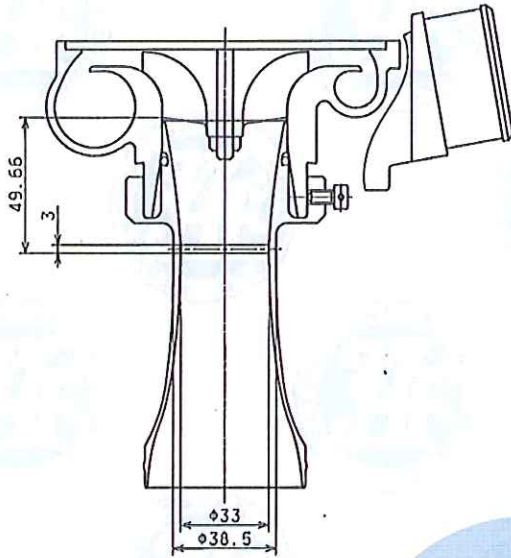
01/01 VO

JAF 公認番号 FN-088 VO-1/1

n°
Description
Photo n°

1102903) Drawing with restrictor

1102904) Drawing with restrictor



Tolerance on dimensions : +/-0.3 mm except for dimensions given by article 254



Fédération Internationale de l'Automobile
Chemin de Blandonnet, 2
CH-1215 GENEVE 15
Tél.: 41 22 544 44 00

Fax Sport: 41 22 544 44 50
100 - 19.10.2010

Marque
Make **FUJI**

Modèle
Model **GVB**

Homologation N°

N-5738

Extension N°

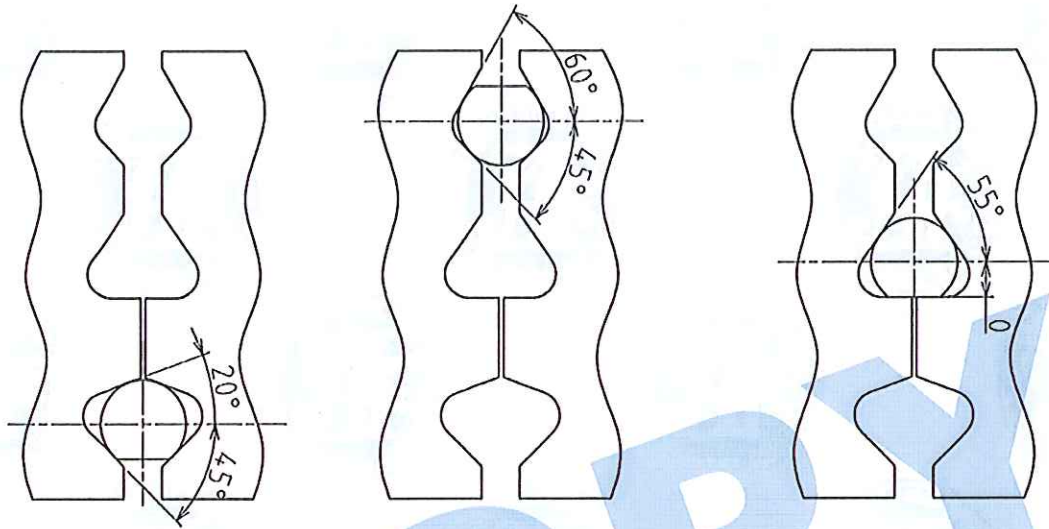
01/01 VO

JAF 公認番号 FN-088 VO-1/1

Description

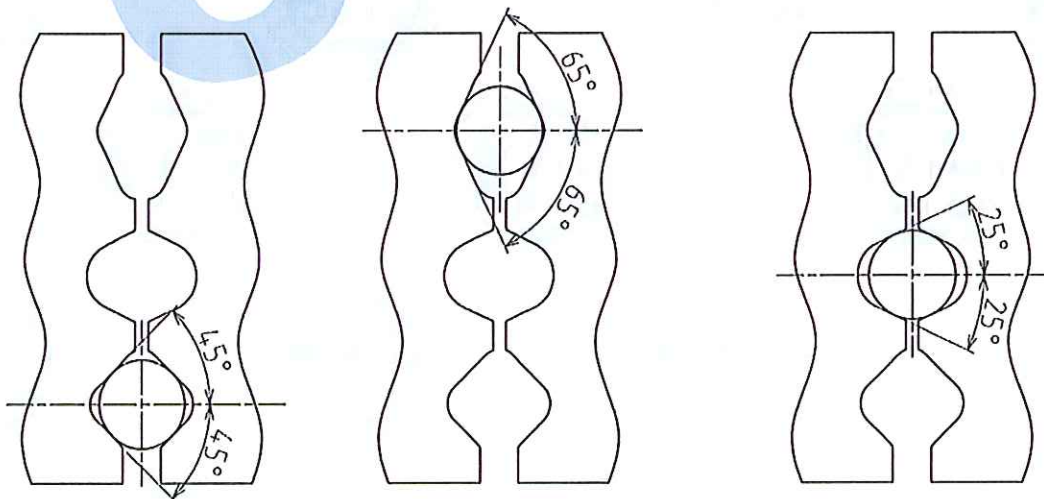
1102905) Front LSD cam angle

tolerance:±1%



1102906) Rear LSD cam angle

tolerance:±1%



Fédération Internationale de l'Automobile
Chemin de Blandonnet, 2
CH-1215 GENEVE 15
Tel.: 41 22 544 44 00

Fax Sport: 41 22 544 44 60

Marque
Make **FUJI**

Modèle
Model **GVB**

Homologation N°

N-5738

Extension N°

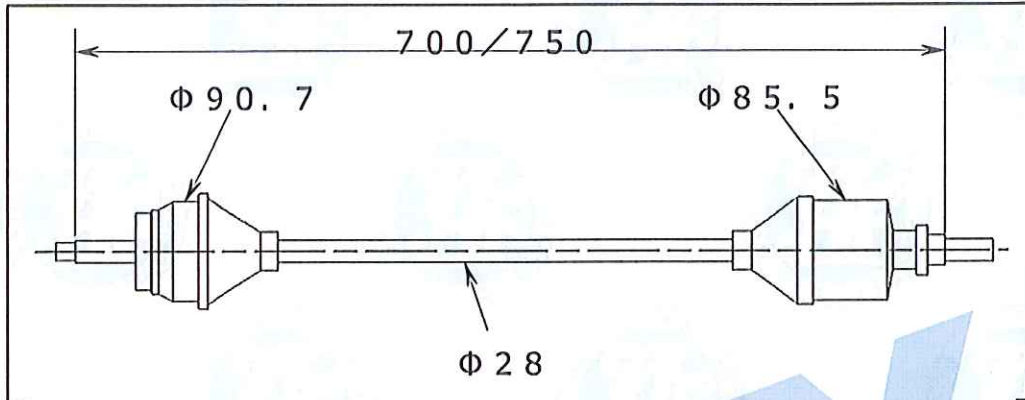
01/01 VO

JAF 公認番号 FN-088 VO-1/1

Description

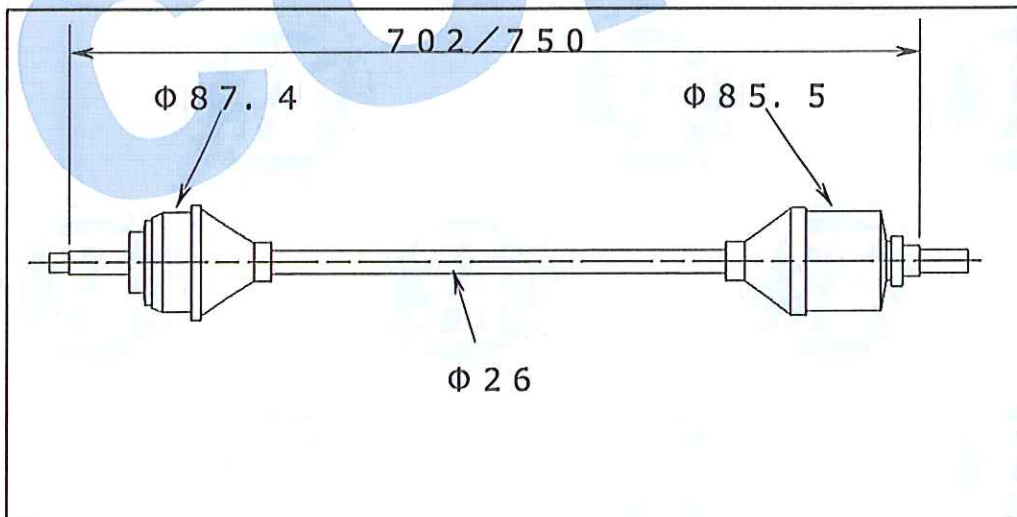
1102907) Front transversal half-shafts, type 1NF

tolerance:±1%



1102908) Rear transversal half-shafts, type 1NR

tolerance:±1%



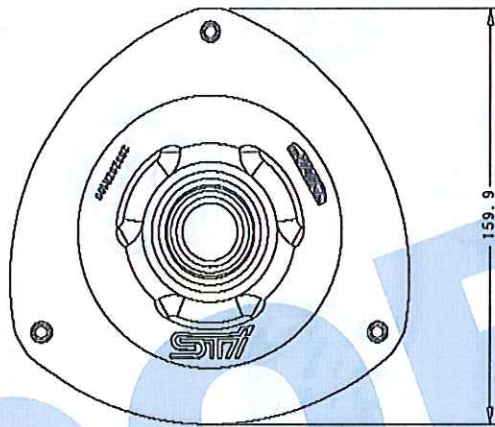
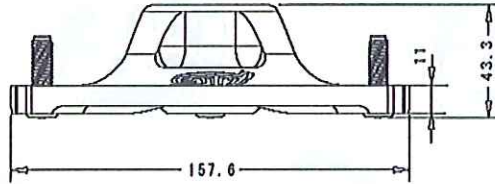
Fédération Internationale de l'Automobile
Chemin de Blandonnet, 2
CH-1215 GENEVE 15
Tel.: 41 22 544 44 00

Fax Sport: 41 22 544 44 50
000 - 19.10.2010

Description

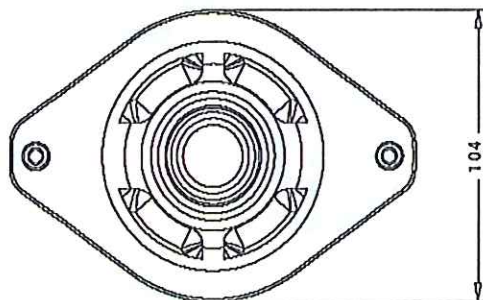
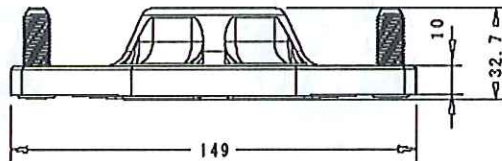
1102909) Suspension, Front top mount plate

tolerance:±0.4mm



1102910) Suspension, Rear top mount plate

tolerance:±0.4mm



Marque **FUJI**
Make

Modèle **GVB**
Model

Homologation N°

N-5738

Extension N°

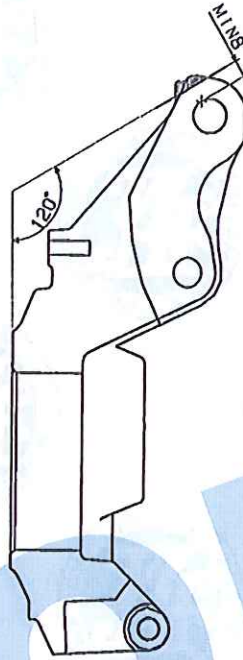
01/01 VO

JAF 公認番号 FN-088 VO-1/1

Description

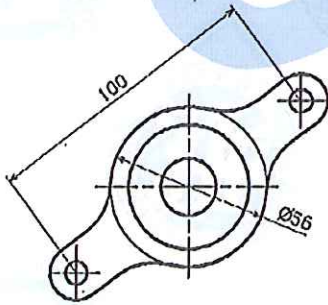
1102911) Modification of front upright

tolerance $\pm 1\%$

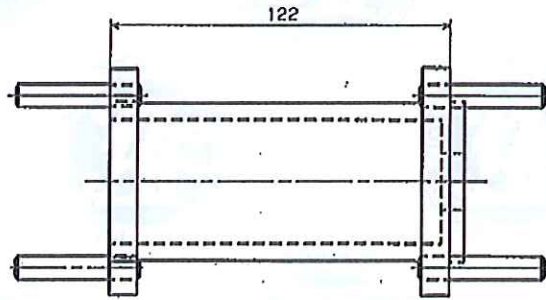


1102912) Master cylinder spacer

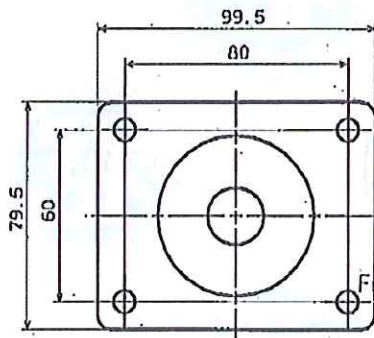
tolerance $\pm 0.3\text{mm}$



tolerance $\pm 0.5\text{mm}$



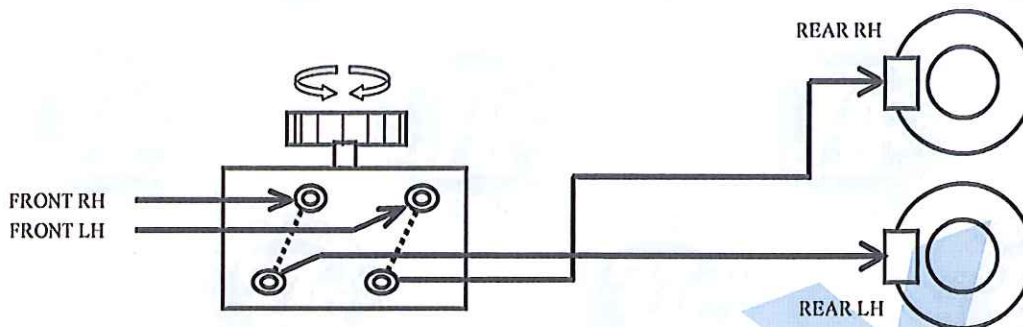
tolerance $\pm 0.3\text{mm}$



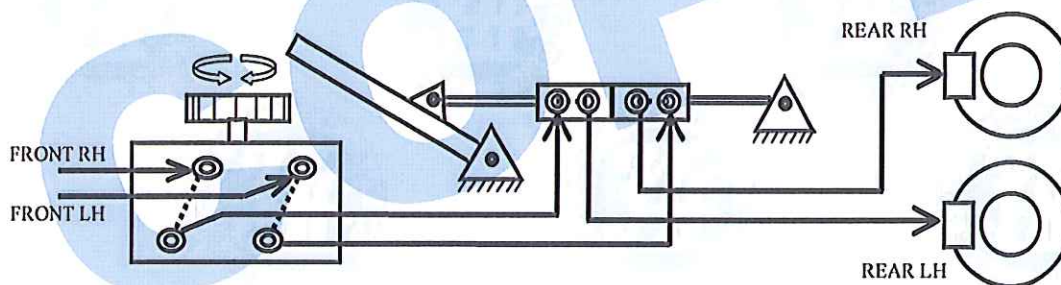
Fédération Internationale de l'Automobile
Chemin de Blandonnet, 2
CH-1215 GENEVE 15
Tel.: 41 22 544 44 00
Fax Sport: 41 22 544 44 50

Description

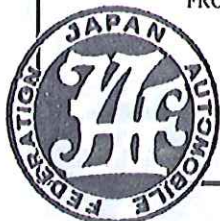
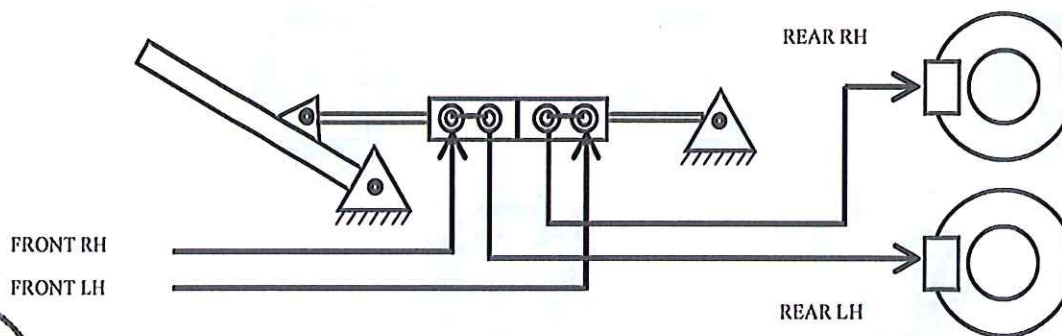
1102913) Braking regulator with standard parking brake system



1102914) Braking regulator system, with hydraulic parking brake system



1102915) Hydraulic parking brake control system



Fédération Internationale de l'Automobile
 Chemin de Blandonnet, 2
 CH-1215 GENEVE 15

Tel.: 41 22 544 44 00

Fax Sport: 41 22 544 40 50

Marque
Make **FUJI**

Modèle
Model **GVB**

Homologation N°
N-5738

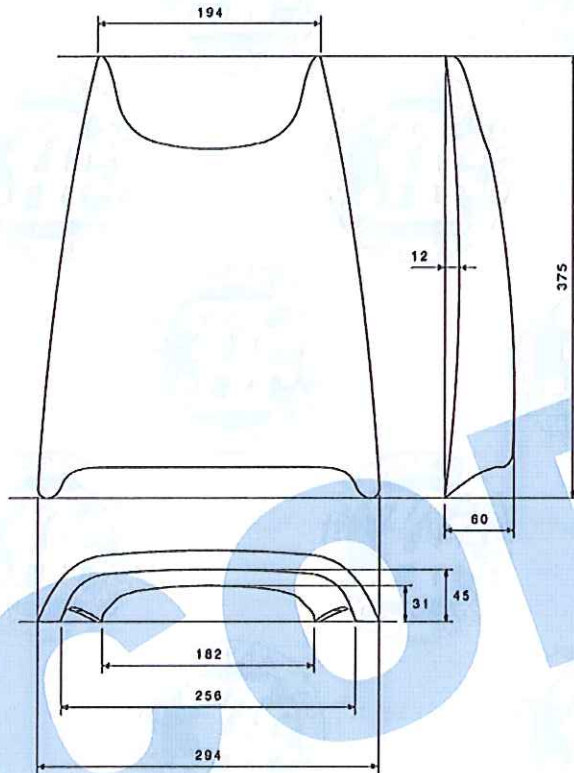
Extension N°
01/01 VO

JAF 公認番号 FN-088 VO-1/1

Description

1102916) Roof ventilator

tolerance $\pm 5\%$

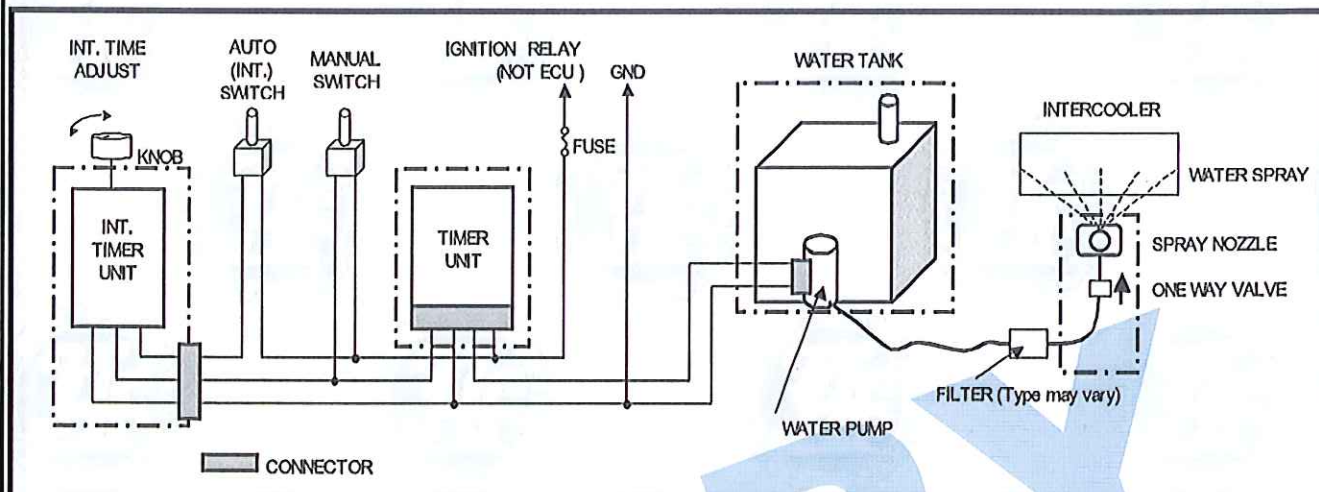


Fédération Internationale de l'Automobile
Chemin de Blandonnet, 2
CH-1215 GENEVE 15
Tel.: 41 22 544 44 00

Fax Sport: 41 22 544 44 50
000-19.10.2010

Description

1102917) Intercooler spray system



The parts included in the kit

- INT. TIMER UNIT
- TIMER UNIT
- CONNECTOR FOR THE TIMER UNIT
- WATER TANK (Tank Capacity 12.6± 1Litre)
- WATER PUMP
- CONNECTOR FOR THE WATER PUMP
- ONEWAY VALVE with HOSE
- SPLAY NOZZLE

