



# FEDERATION INTERNATIONALE DE L'AUTOMOBILE

Groupe / Group

## N

Homologation N°

### N-5732

Extension N°

### 04/04 VO

## FICHE D'EXTENSION D'HOMOLOGATION HOMOLOGATION EXTENSION FORM

JAF 公認番号 FN-087 VO-4/4

JAF 発効日 2010年7月1日

Homologation valable à partir du **01 JUIL. 2010**  
Homologation valid as from

**ER** Erratum / Erratum

**VF** Variante de fourniture / Supply variant

**ET** Evolution du type / Evolution of the type

**VO** Variante option / Option variant

**VP** Variante de Production / Production variant

**101. CONSTRUCTEUR DU VEHICULE / MANUFACTURER OF THE VEHICLE**

FUJI HEAVY INDUSTRIES LTD.

**102. MODÈLE ET TYPE DE VEHICULE / MODEL AND TYPE OF THE VEHICLE**

a) Modèle et type  
Model and type

SUBARU IMPREZA WRX STI specC (2009) , GRB

# COPY

Page or Extension	Article	Description	Photo n°
	3	ENGINE TUMBLE GENERATOR VALVE SYSTEM Tumble generator valve system assembly, dismounted Removable parts, disassembled Additional parts when removing Photo 1005312 Additional parts, assembled Details of the removable parts and additional parts	_____ _____ <u>1005311</u> <u>1005312</u> <u>1005313</u> <u>1005314</u> <u>1005911</u> _____ _____ _____
	803	BRAKE Brake cooling duct, dismounted Brake cooling duct, mounted - Lh side Brake cooling duct, mounted - Rh side Brake cooling duct, drawing - Lh side (front bumper side) Brake cooling duct, drawing - Rh side (front bumper side)	_____ _____ <u>1005315</u> <u>1005316</u> <u>1005317</u> <u>1005912</u> <u>1005913</u> _____ _____ _____



Fédération Internationale de l'Automobile  
Chemin de Binonnet, 2  
CH-1214 CHATELAIN  
Tél.: 41 22 544 44 00  
Fax Sport: 41 22 544 02 00

Marque  
Make **FUJI**

Modèle  
Model **GRB**

Homologation N°

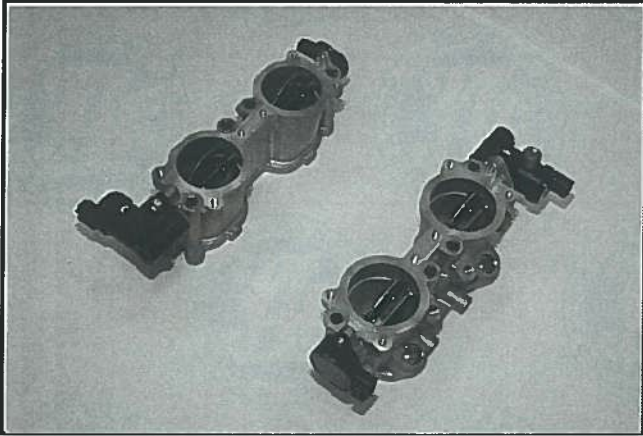
**N-5732**

Extension N°

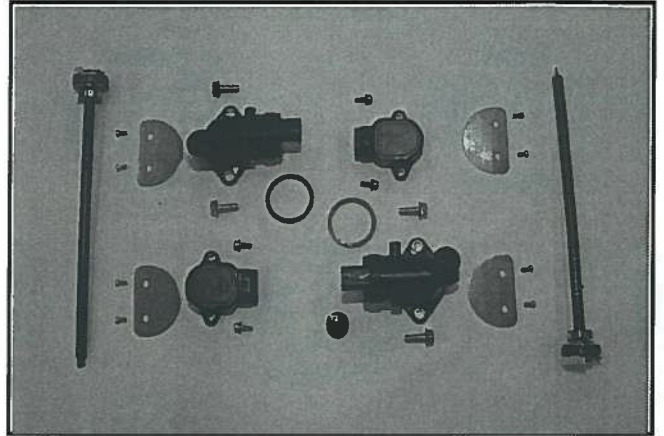
**04/04 VO**

JAF 公認番号 **FN-087 VO-4/4**

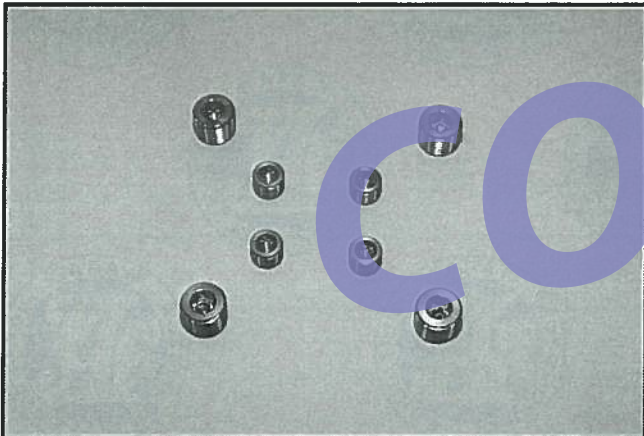
1005311)



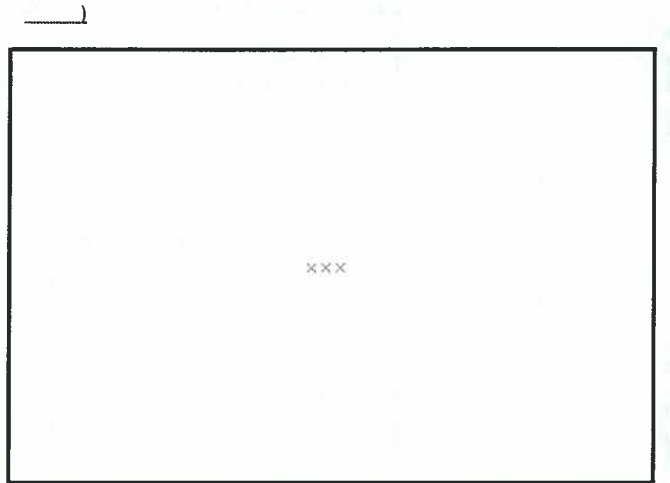
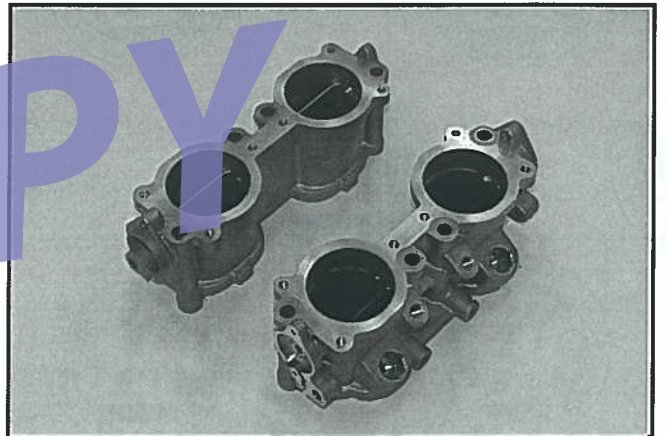
1005312)



1005313)



1005314)



Marque  
Make **FUJI**

Modèle  
Model **GRB**

Homologation N°

**N-5732**

Extension N°

**04/04 VO**

1005911)

JAF 公認番号 **FN-087 VO-4/4**

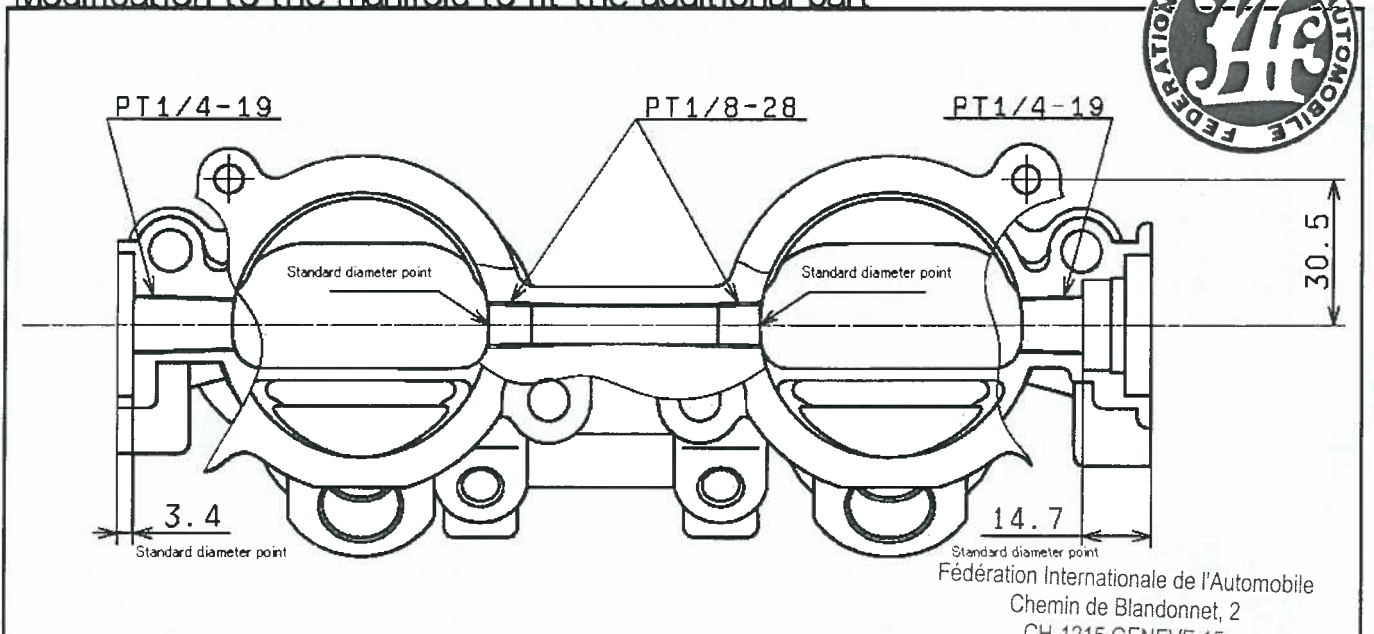
List 1 : Removable parts

	Part name	Part number	Removable part	Quantity / car
RH	<b>MANIF ASSY-INT</b>	<b>14011AB363</b>		<b>1</b>
	1. MANIF.COMPL-INT	14001AB710	-	1
	Manifold	-	No	1
	Shaft	-	Removable	1
	Butterfly	-	Removable	2
	Bolt	-	Removable	4
	2. MOTOR.COMPL-INT	14120AA050	Removable	1
	Motor	-	Removable	1
	O-ring	-	Removable	1
	3. FLANGE BOLT	-010406160	Removable	2
	4. SEN.ASSY-THROT	22633AA210	Removable	1
5. B & WAY-4x 8x 8	-800504010	Removable	2	
LH	<b>MANIF ASSY-INT</b>	<b>14011AB373</b>		<b>1</b>
	1. MANIF.COMPL-INT	14001AB710	-	1
	Manifold	-	No	1
	Shaft	-	Removable	1
	Butterfly	-	Removable	2
	Bolt	-	Removable	4
	2. MOTOR.COMPL-INT	14120AA060	Removable	1
	Motor	-	Removable	1
	O-ring	-	Removable	1
	3. FLANGE BOLT	-010406160	Removable	2
	4. SEN.ASSY-THROT	22633AA210	Removable	1
	5. B & WAY-4x 8x 8	-800504010	Removable	2
6. FILTER	14451AA030	Removable	1	

List 2 : Additional parts when removing the parts in list 1

	Part name	Part number	Quantity / car
RH & LH	M10 HOLLOW SET	15027ZR000	4
	M12 HOLLOW SET	15027ZR010	4

Modification to the manifold to fit the additional part



Fédération Internationale de l'Automobile  
Chemin de Blandonnet, 2  
CH-1215 GENEVE 15  
Tél.: 41 22 544 44 00  
Fax Sport: 41 22 544 44 50

Marque  
Make **FUJI**

Modèle  
Model **GRB**

Homologation N°

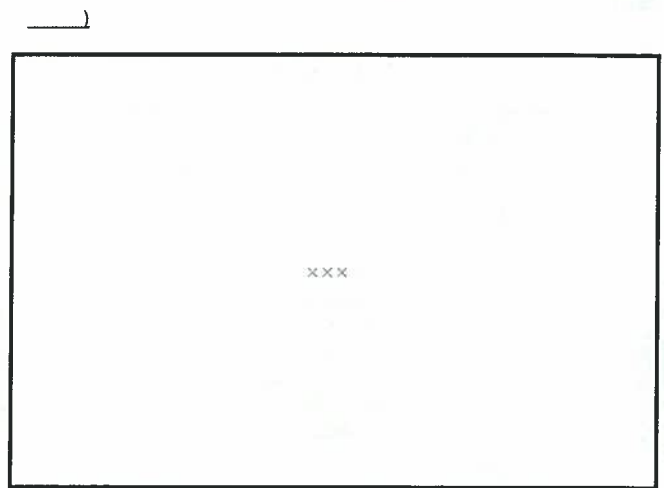
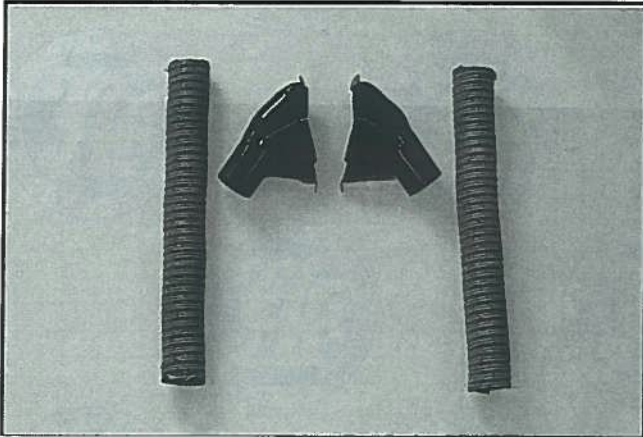
**N-5732**

Extension N°

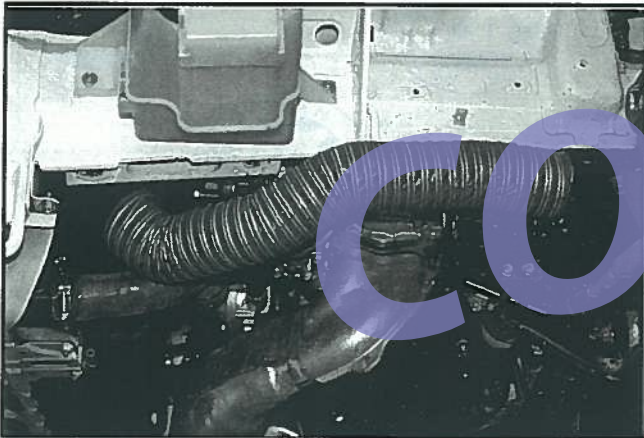
**04/04 VO**

JAF 公認番号 **FN-087 VO-4/4**

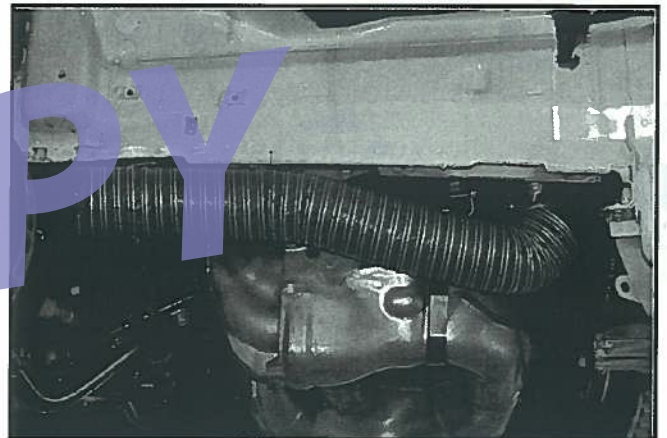
1005315)



1005316)

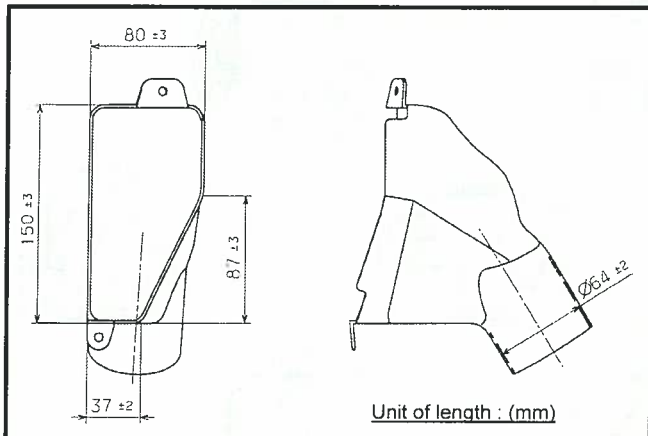


1005317)



COPY

1005912)



1005913)

